

KONICA MINOLTA

PARTS GUIDE MANUAL

SEPTEMBER 2018

bizhub C227
A798

INFORMATION FOR PARTS GUIDE MANUAL

To find correct Parts No., refer to the "HOW TO MAKE THE BEST USE OF THIS MANUAL" in the following page.

HOW TO MAKE THE BEST USE OF THIS MANUAL

- 1 When you order, please check the proper figures beforehand that are on Our Parts Guide Manual, and order with the appropriate figures.
- 2 For screws, Nuts, Washers, retaining rings and Pins which are used in this model, one letter is shown on the Standard parts column of Parts list and exploded diagrams.
- 3 In order to maintain safety of the product, some specific parts composed of this product are set up as "essential safety parts".
- 4 The assigned parts number for the "essential safety parts" is indicated as "SP00-****".
When replacing these parts, follow precautions for disassembling and installing which are listed in the Service Manual.
Do not use any parts that are not set up as
- 5 ♣ means that there are exclusive parts for each destination.
Please check the appropriate destination when you order.
- 6 Revision Mark
Marked as ▲ on the illustration shows that the revision has been made.
- 7 All rights reserved. (any reprints or quotations are prohibited.)
Use of this parts guide manual should be strictly supervised to avoid disclosure of confidential information.

パーツガイドマニュアルのご案内

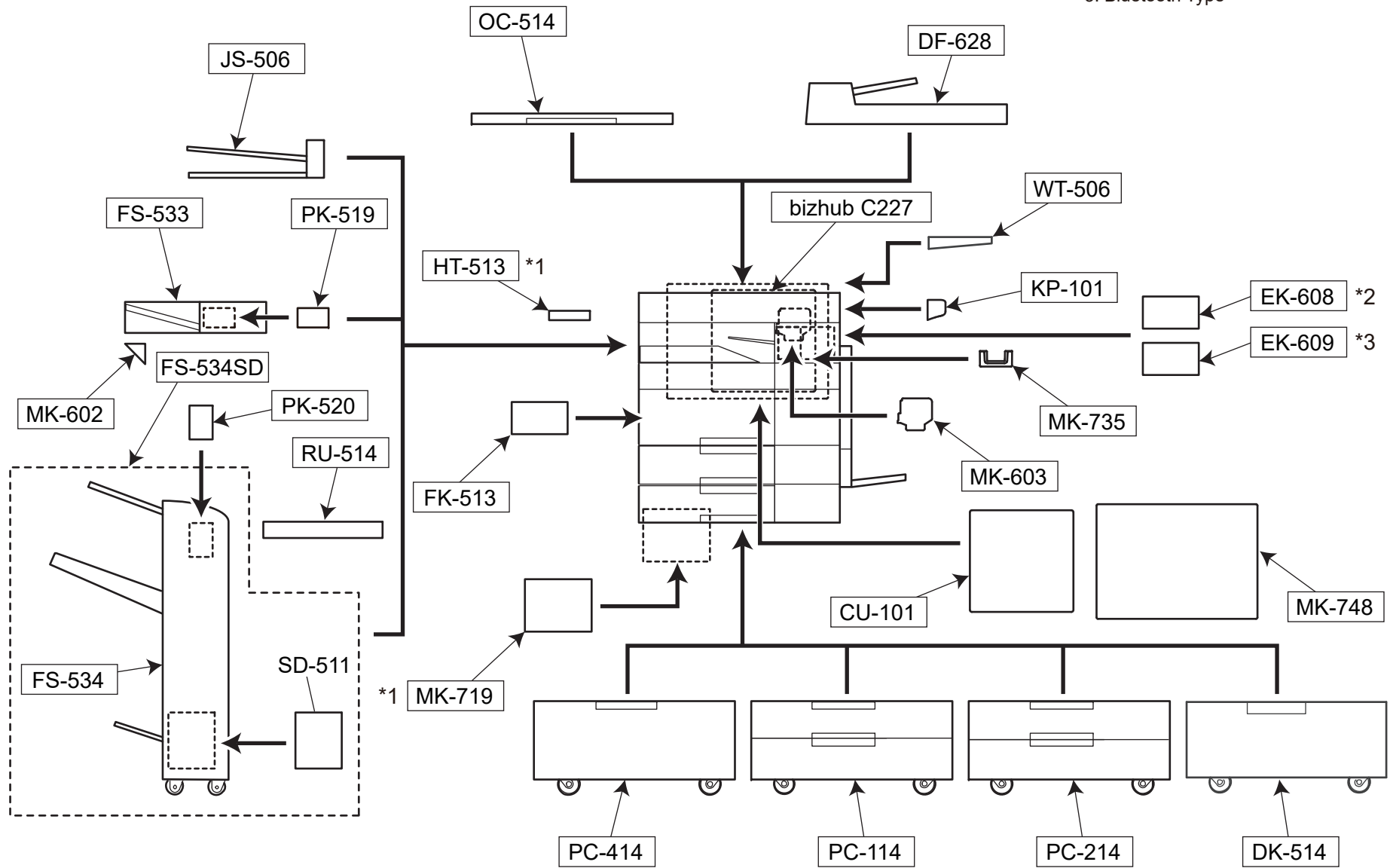
サービス部品をご発注の際には、下記に示す“パーツガイドマニュアルの活用にあたって”をご参照の上、正しい部品番号にてお願い致します。

パーツガイドマニュアルの活用にあたって

- 1 部品発注の際には、掲載されている部品番号の桁数を確認し、掲載されている桁数で発注願います。
- 2 この製品に使用されているネジ、ナット、ワッシャー、止め輪、ピンなどは、リストの右側の Standard parts 欄に a,b,c,…… で表示し、イラストにも a,b,c,…… 表示してあります。
- 3 製品の安全性を維持する為に、製品に使用される特定の部品を「重要保安部品」として設定しています。
- 4 重要保安部品の部品番号は、“SP00-****”と記載されていますので、部品交換時は、サービスマニュアル記載の分解・組み立ての注意事項に従って作業をして下さい。
また、指定以外の部品は一切使用しないで下さい。
- 5 本文に ♣ が表示されている部品は、仕向け地毎に専用部品がある事を意味しています。
オーダーされる時は、仕向け地を確認して下さい。
- 6 改訂記号について
イラスト上に ▲ 印が表示されている部分は、改訂された事を表します。
- 7 著作権所有（無断転載及び無断引用の禁止）
本パーツガイドマニュアルについては、機密保持等その扱いには十分注意して下さい。万一取り扱いを誤った場合には、法律で処罰されることがあります。

System Configuration

*1: for Model No. A798001
 *2: Non Bluetooth Type
 *3: Bluetooth Type

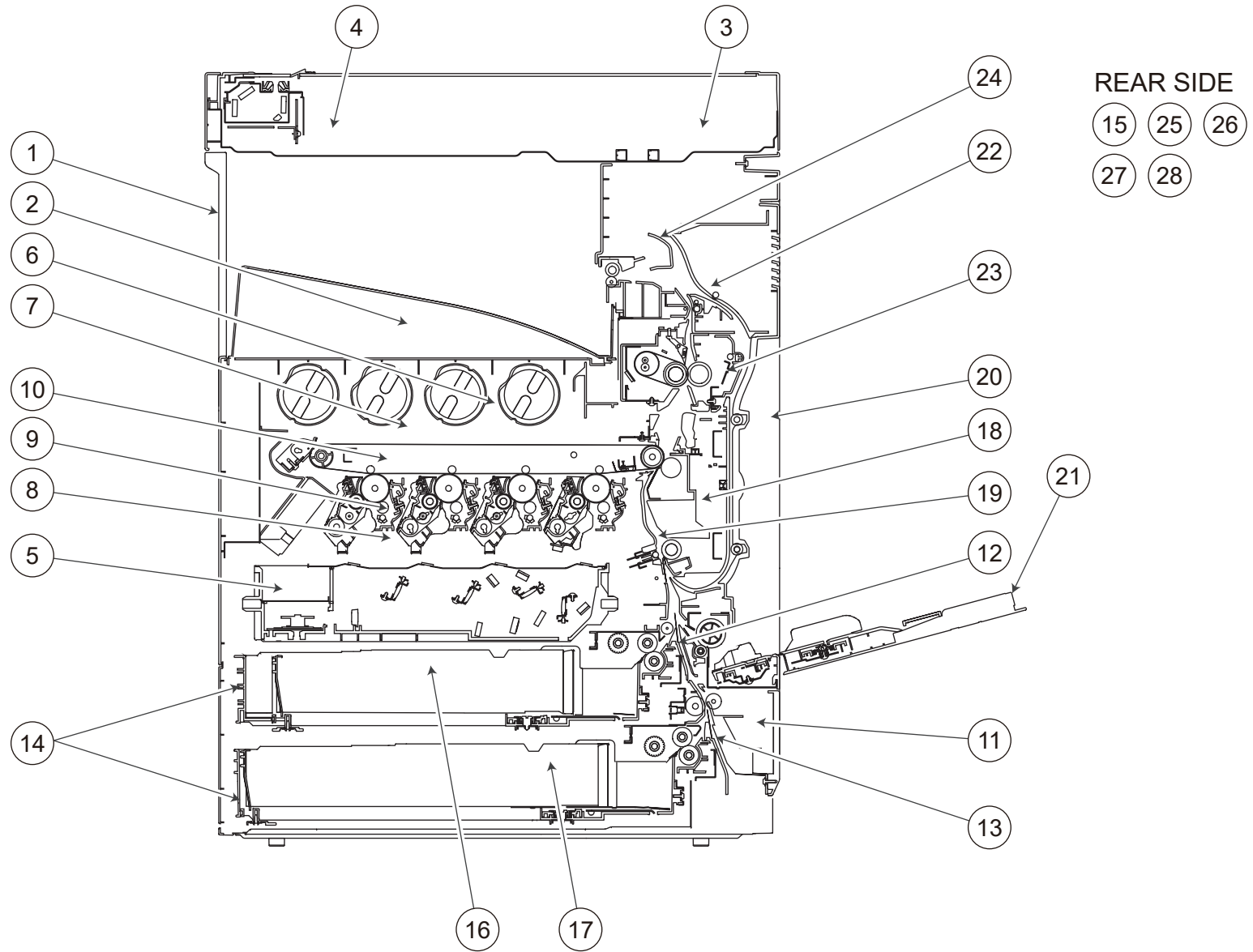


GENERAL CONTENTS

No.	Description	Model
1	Digital MFP Color	bizhub C227
2	Original Cover	OC-514
3	Document Feeder	DF-628
4	Working Table	WT-506
5	Other Option	KP-101
6	Local IF Kit	EK-608
7	Mount Kit	MK-735
8	Desk	DK-514
9	Paper Feeder	PC-214
10	Paper Feeder	PC-114
11	Paper Feeder	PC-414
12	Finisher/Sorter	FS-534
13	Mount Kit	MK-602
14	Finisher/Sorter	FS-534SD
15	Punch Unit	PK-520
16	Relay Unit	RU-514
17	Punch Unit	PK-519
18	Finisher/Sorter	FS-533
19	Job Separator	JS-506
20	Mount Kit	MK-603
21	Heater	HT-513
22	Other Option	MK-719

No.	Description	Model
23	Local IF Kit	EK-609
24	Fax Kit	FK-513
25	Other Option	CU-101
26	Mount Kit	MK-748

Section Configuration



CONTENTS

No.	DESCRIPTION	名称	PAGE No.
1	EXTERNAL PARTS	外装部	P1 P2
2	INNER COVER SECTION	2次カバー部	P3
3	OPERATION PANEL SECTION	オペレーションパネル部	P4
4	SCANNER SECTION	スキャナー部	P5 P6 P7 P7A
5	PH UNIT/HIGH VOLTAGE SECTION	PH / 高圧電源部	P8
6	TONER SUPPLY SECTION	トナー補給部	P9 P10 P11
7	WASTE TONER BOX SECTION	廃トナーボックス部	P12
8	DV LOCK LEVER SECTION	DV ロックレバー部	P13
9	ERASE LAMP SECTION	イレーザーランプ部	P14
10	IMAGE TRANSFER BELT SECTION	中間転写部	P15
11	PAPER FEED SECTION	給紙部	P16
12	1ST PAPER FEED SECTION	1 段目給紙部	P17 P18
13	2ND PAPER FEED SECTION	2 段目給紙部	P19 P20
14	CASSETTE RAIL SECTION	カセットレール部	P21
15	PAPER SIZE DETECTION SECTION	カセットサイズ検出部	P22
16	1ST CASSETTE SECTION	1 段目カセット部	P23 P23A P24 P24A
17	2ND CASSETTE SECTION	2 段目カセット部	P25 P25A P26 P26A
18	VERTICAL CONVEYANCE SECTION	縦搬送部	P27 P28
19	CONVEYANCE SECTION	搬送部	P29 P30
20	VERTICAL CONVEYANCE DOOR SECTION	縦搬送扉部	P31
21	BYPASS TRAY SECTION	手差しトレイ部	P32 P33 P33A
22	REVERSAL SECTION	反転部	P34 P35
23	FUSING SECTION	定着部	P36
24	PAPER EXIT SECTION	排紙部	P37 P38
25	DRIVE SECTION	駆動部	P39 P40
26	OZONE DUCT SECTION	オゾン排気部	P41
27	MAIN POWER SUPPLY SECTION	低圧電源部	P42
28	ELECTRICAL COMPONENTS	電装部	P43 P44
29	WIRING	束線	P45
30	WIRING ACCESSORIES AND JIGS	配線部品・治具	P46
31	ACCESSORY PARTS	同梱部品	P47

INDEX

Parts No.	Page No.
0978381101	33-4
0978381101	33A-4
0996305501	21-5
1134304301	32-13
1164202801	37-5
1164420204	27-17
4004590301	38-29
4011585202	27-4
4030320601	24A-10
4030320601	24-15
4030320601	26A-10
4030320601	26-15
4030340301	33-27
4030340301	33A-27
4030347501	33-21
4030347501	33A-21
4030581101	35-8
4036534801	11-9
4038101401	1-7
4038258001	40-16
4038353701	29-3
4038541202	39-11
4038M60000	44-9
4109553001	17-25
4109553001	19-30
4136N30000	47-13
4139M10000	8-3
4139M10000	42-1
4163510201	10-14
4163529301	8-4
4163529301	15-5
4163529301	24A-12
4163529301	24-20
4163529301	26A-12
4163529301	26-20
4163529301	28-13
4333501201	10-21
4556M10000	43-24
4576536301	10-16
4581162501	6-8

Parts No.	Page No.
4581162501	7-27
4581162501	7A-28
4658015106	33A-19
4658015106	33-19
56AA40490	17-13
56AA40490	18-9
56AA40490	19-19
56AA40490	20-9
56AA40490	38-25
9313100072	41-7
9381420021	47-13
9381430031	47-13
9J06M10300	22-1
9J06M60100	3-3
A00F623201	32-7
A00J106202	1-12
A00J169100	2-11
A00J563600	17-12
A00J563600	18-10
A00J563600	19-18
A00J563600	20-10
A00J663200	17-2
A00J663200	19-4
A00J945500	1-10
A00JN30200	44-13
A011946200	4-13
A02E117300	41-8
A02E149900	2-18
A02E167700	5-9
A02E561100	17-11
A02E561100	19-17
A02E596300	30-7
A02E596300	32-8
A02E597600	33-23
A02E597600	33A-23
A02E712902	29-4
A02E813100	28-23
A02E815200	18-3
A02E815200	20-3
A02E815200	28-8

Parts No.	Page No.
A02E815200	32-26
A02E815200	34-9
A02EN12513	44-11
A034M20100	32-18
A03U812800	40-4
A0ED110900	15-16
A0ED111000	15-6
A0ED111500	15-10
A0ED112000	15-14
A0ED135700	44-14
A0ED135700	44-14
A0ED245000	12-3
A0ED257500	40-19
A0ED259700	40-17
A0ED401000	11-8
A0ED501301	15-20
A0ED551000	27-3
A0ED551100	27-14
A0ED563900	18-11
A0ED563900	20-11
A0ED700300	29-10
A0ED700600	29-6
A0ED703800	27-8
A0ED712100	31-1
A0ED811900	28-3
A0ED891100	38-18
A0ED897700	38-14
A0ED940600	9-2
A0ED940700	1-3
A0EDM60001	13-1
A0EDN30002	44-17
A0G6411200	4-14
A0G6411200	9-12
A0HF952400	5-6
A0P0901100	38-5
A0P0M73100	3-2
A0VDM50200	3-16
A161105400	8-7
A161110300	15-8
A161110500	15-15

Parts No.	Page No.
A161112200	36-2
A161112500	15-4
A161112600	36-3
A161116202	13-4
A161119500	13-3
A161137100	3-5
A161137600	43-12
A161138500	14-5
A161151200	3-4
A161151300	3-15
A161163900	2-8
A161165300	3-9
A161165700	12-6
A161210200	30-14
A161232501	40-21
A161240700	39-10
A161245100	12-4
A161245400	12-5
A161258800	40-18
A161259400	40-20
A161362000	47-7
A161400100	10-18
A161400401	11-2
A161400601	11-3
A161400800	11-10
A161402502	9-9
A161403000	10-22
A161403101	10-17
A161403200	11-7
A161403901	9-6
A161404001	9-3
A161404200	11-1
A161404300	11-6
A161550700	27-13
A161551500	27-2
A161591000	33-29
A161591000	33A-29
A161591100	33A-28
A161591100	33-28
A161591600	33-16

Parts No.	Page No.
A161591600	33A-16
A161592200	33A-7
A161592200	33-7
A161592600	33-44
A161592600	33A-45
A161593300	32-10
A161593800	33A-10
A161593800	33-10
A161594201	33A-14
A161594201	33-14
A161594300	33A-33
A161594300	33-33
A161594400	32-6
A161594700	32-3
A161595100	33-15
A161595100	33A-15
A161595300	33-26
A161595300	33A-26
A161595600	33A-17
A161595600	33-17
A161620701	24A-7
A161620701	24-12
A161620701	26A-7
A161620701	26-12
A161623400	23-14
A161623400	23A-14
A161623400	25-14
A161623400	25A-14
A161624100	24A-2
A161624100	24-5
A161624100	26A-2
A161624100	26-5
A161626602	23A-7
A161626602	23-7
A161626602	25-7
A161626602	25A-7
A161626800	23-6
A161626800	23A-6
A161626800	25A-6
A161626800	25-6

Parts No.	Page No.	Parts No.	Page No.	Parts No.	Page No.	Parts No.	Page No.	Parts No.	Page No.
A161701100	29-15	A5C1112800	15-3	A795566000	24A-23	A797132302	3-7	A797160101	1-2
A161701301	30-16	A5C1134111	43-18	A795566000	26A-23	A797132400	44-7	A797160201	1-9
A161702101	19-10	A5C1134200	43-16	A795620800	24A-24	A797132500	44-2	A797160300	1-8
A161702101	29-12	A5C1404500	1-19	A795620800	26A-24	A797132600	44-6	A797160400	1-6
A161702200	29-9	A5C1404600	11-4	A795621301	24A-25	A797132701	44-3	A797160500	2-7
A161702200	40-13	A5C1562200	17-14	A795621301	26A-25	A797132800	44-4	A797160600	1-16
A161712401	27-16	A5C1562200	19-20	A795622500	24A-26	A797132900	44-1	A797160701	1-15
A161712700	27-7	A5C1701400	30-4	A795622500	26A-26	A797134000	8-5	A797160801	1-18
A161713100	28-6	A5C1711000	27-5	A795622600	24A-27	A797134501	4-12	A797160901	2-9
A161714600	28-22	A5C1891100	38-13	A795622600	26A-27	A797134600	3-18	A797161001	1-1
A161813801	34-17	A5C1F42000	11-5	A795622700	24A-28	A797134701	14-4	A797161100	2-4
A161815300	31-11	A5C1M50100	3-17	A795622700	26A-28	A797134800	3-6	A797161200	2-2
A161819200	35-9	A5C1M50100	6-4	A797101600	21-1	A797135001	43-22	A797161300	2-1
A161825700	17-4	A5C1M50100	7A-10	A797101700	21-3	A797135200	43-5	A797161400	4-16
A161825700	28-5	A5C1M50100	7-17	A797101800	21-4	A797137000	43-11	A797161411	4-16
A161825700	35-2	A5C1M50100	10-23	A797101900	21-2	A797137101	43-10	A797161500	4-10
A161943000	3-14	A5C1M50100	17-24	A797102200	8-9	A797137201	43-14	A797161600	4-18
A161943000	24A-5	A5C1M50100	18-8	A797102400	29-19	A797137400	43-4	A797161701	4-15
A161943000	24-9	A5C1M50100	19-11	A797102600	43-1	A797137500	43-7	A797161801	1-17
A161943000	26A-5	A5C1M50100	20-8	A797102701	15-2	A797137800	43-2	A797161900	2-6
A161943000	26-9	A5C1M50100	27-10	A797102901	21-6	A797137900	43-8	A797162000	1-14
A161943000	33-41	A5C1M50100	28-24	A797103001	21-7	A797138100	8-10	A797162102	3-8
A161943000	33A-41	A5C1M50100	29-13	A797105600	14-6	A797138500	2-5	A797162500	1-5
A161943700	24A-18	A5C1M50100	33-24	A797105700	14-7	A797138700	43-30	A797162801	4-2
A161943700	26A-18	A5C1M50100	33A-24	A797108100	31-16	A797138800	43-25	A797163000	2-3
A161M50400	33-31	A5C1M50100	38-12	A797108200	31-15	A797139000	43-17	A797163301	2-13
A161M50400	33A-31	A5C1M50100	43-3	A797108300	27-19	A797150100	41-9	A797163400	47-3
A161N15J00	43-21	A5C1M72H00	43-19	A797108400	31-14	A797150300	41-1	A797164200	1-4
A1UD947400	47-12	A5C1N30000	44-13	A797110101	15-9	A797150400	41-4	A797164700	2-14
A1UDN30200	47-13	A5C1R71600	1-13	A797110200	15-7	A797150500	41-2	A797165102	3-8
A2UPN30100	47-13	A64J815500	31-9	A797110400	36-4	A797150600	41-6	A797166103	2-10
A2UPN30300	47-13	A64J891200	38-31	A797110500	40-15	A797151000	3-1	A797166201	2-15
A2UPN30601	47-13	A795565500	24A-19	A797111700	15-11	A797151102	8-2	A797166300	42-2
A2X0901100	38-5	A795565500	26A-19	A797112100	15-18	A797151201	8-1	A797166400	2-12
A2X0945701	2-16	A795565700	24A-20	A797112300	15-17	A797151400	8-13	A797166601	4-11
A3EW944600	5-10	A795565700	26A-20	A797112900	15-19	A797151500	8-15	A797166700	4-8
A3EWM90300	4-3	A795565800	24A-21	A797115400	13-6	A797152000	47-2	A797220100	39-21
A4EU138000	7A-13	A795565800	26A-21	A797132000	44-8	A797152100	41-5	A797220700	39-19
A4EU138000	7-20	A795565900	24A-22	A797132100	44-4	A797152100	41-13	A797221000	39-17
A4EU138000	43-15	A795565900	26A-22	A797132200	44-5	A797152200	41-10	A797221100	39-23

Parts No.	Page No.	Parts No.	Page No.	Parts No.	Page No.	Parts No.	Page No.	Parts No.	Page No.
A797228000	40-7	A797400000	10-19	A797566012	17-5	A797604100	32-16	A797710201	28-10
A797228100	40-25	A797400700	10-27	A797568300	16-6	A797604200	33-13	A797710300	28-12
A797228300	40-27	A797400900	10-24	A797568400	16-10	A797604200	33A-13	A797710500	28-7
A797228700	40-14	A797401000	10-11	A797568500	16-8	A797605101	32-12	A797710900	27-15
A797230500	40-24	A797401100	10-9	A797568800	16-3	A797606100	33A-8	A797711100	27-6
A797230600	40-5	A797401200	10-10	A797568900	16-9	A797606200	33A-38	A797711200	28-4
A797230700	40-12	A797401300	10-13	A797569100	20-14	A797620100	23-13	A797712000	28-11
A797230800	40-6	A797401400	10-4	A797578100	19-6	A797620602	24-19	A797712500	27-18
A797231800	40-8	A797401500	10-6	A797578200	19-7	A797620602	26-19	A797712900	28-20
A797232300	40-2	A797401600	10-7	A797578401	16-7	A797620900	24-4	A797715300	28-16
A797240100	39-3	A797401700	10-12	A797578600	19-8	A797620900	26-4	A797715400	28-14
A797240300	39-4	A797401800	10-8	A797578800	19-9	A797623500	24-18	A797715700	28-21
A797240400	39-9	A797402000	10-5	A797579000	16-5	A797623500	26-18	A797715800	28-17
A797240500	39-7	A797402100	10-2	A797579100	19-5	A797623600	24-2	A797716000	28-25
A797240600	39-8	A797402200	10-3	A797579300	19-12	A797623600	26-2	A797716100	28-19
A797240800	39-13	A797402300	10-15	A797579600	17-23	A797623700	24-28	A797716200	28-15
A797240900	39-6	A797402502	9-4	A797579600	19-29	A797623700	26-28	A797716300	28-26
A797241001	39-5	A797402600	9-1	A797600202	33-36	A797625300	23-16	A797717000	34-18
A797241100	39-27	A797402700	9-10	A797600202	33A-36	A797625300	23A-16	A797717100	34-16
A797245300	12-8	A797402800	9-8	A797600500	32-11	A797625300	25A-16	A797717200	34-15
A797245500	12-2	A797403300	9-11	A797600600	33-18	A797625300	25-16	A797717300	34-19
A797253100	39-18	A797404000	9-7	A797600600	33A-18	A797630100	25-13	A797719000	28-2
A797253200	39-20	A797405100	9-1	A797600700	31-13	A797700102	30-15	A797749200	1-20
A797253500	39-15	A797405200	9-1	A797600800	32-20	A797700200	29-2	A797749300	1-20
A797253600	39-22	A797405300	9-1	A797601200	33-30	A797700502	30-3	A797810102	34-1
A797254000	39-24	A797508400	15-22	A797601200	33A-30	A797700601	29-5	A797810200	34-5
A797255600	40-3	A797560101	17-7	A797601300	33-20	A797700700	30-6	A797810300	34-6
A797255700	40-11	A797560201	17-3	A797601300	33A-20	A797700801	30-5	A797810401	31-12
A797258601	12-7	A797560500	17-9	A797603000	32-2	A797701000	30-1	A797811000	31-3
A797258700	40-22	A797560600	19-15	A797603101	33-8	A797701200	29-1	A797811100	31-4
A797259100	40-26	A797560701	18-6	A797603200	33A-12	A797701500	30-17	A797811300	31-8
A797259800	39-16	A797560701	20-6	A797603200	33-12	A797701601	30-9	A797811400	31-5
A797261900	7A-16	A797563700	19-2	A797603301	33A-3	A797701700	29-14	A797811500	31-2
A797261900	7-23	A797563900	18-4	A797603301	33-3	A797702000	30-12	A797811600	31-7
A797266200	5-1	A797563900	20-4	A797603401	33A-5	A797702500	30-10	A797811700	34-7
A797266601	5-8	A797564400	18-2	A797603401	33-5	A797702600	30-13	A797811801	34-4
A797280800	7A-6	A797564400	20-2	A797603500	33-38	A797702701	30-2	A797811901	34-3
A797280800	7-12	A797565200	17-6	A797603600	33-39	A797703001	30-11	A797812102	35-7
A797280900	7A-18	A797565211	17-6	A797603701	33-37	A797709100	28-1	A797812202	35-11
A797280900	7-25	A797565300	19-13	A797603701	33A-37	A797710100	27-11	A797812300	35-18


Parts No.	Page No.	Parts No.	Page No.	Parts No.	Page No.	Parts No.	Page No.	Parts No.	Page No.
A797812402	35-15	A797892400	38-26	A797M10A00	7-22	A797N11800	6-11	A7AH162100	4-5
A797812500	35-5	A797892500	38-27	A797M40601	8-14	A797N12001	8-6	A7AH166700	47-4
A797812600	35-4	A797892601	38-8	A797M50000	29-11	A797N12100	8-11	A7AH261700	7A-7
A797812700	35-16	A797892700	38-7	A797M60100	22-2	A797N15600	4-4	A7AH261700	7-14
A797812800	35-13	A797892900	38-30	A797M70002	4-6	A797N30000	47-13	A7AH261813	7-11
A797813000	35-12	A797893000	38-17	A797M70102	4-6	A797P00100	2-19	A7AH262101	7-7
A797813101	34-11	A797893100	37-6	A797M70202	4-6	A797R70122	36-1	A7AH262501	6-10
A797813901	34-8	A797893200	37-7	A797M70302	4-6	A797R70211	36-1	A7AH262602	6-7
A797814001	40-10	A797893300	37-8	A797M70402	4-6	A797R70311	36-1	A7AH262700	7-26
A797814201	34-14	A797893400	37-9	A797M90100	43-33	A797R70400	14-1	A7AH262911	7-6
A797814400	34-10	A797941000	23A-12	A797M90200	43-32	A797R70500	14-2	A7AH263000	7-2
A797814600	35-10	A797941000	23-12	A797N10001	44-15	A797R70700	42-3	A7AH263100	7-13
A797815000	34-13	A797941000	25-12	A797N10100	44-12	A797R70800	42-3	A7AH263600	6-13
A797815100	34-22	A797941000	25A-12	A797N10200	44-10	A797R70900	42-3	A7AH263700	7A-19
A797815200	34-20	A797942100	3-12	A797N10400	36-5	A797R70900	42-3	A7AH263800	7A-20
A797815300	34-21	A797942500	3-10	A797N10500	44-16	A797R71000	3-13	A7AH263900	7A-21
A797815400	31-17	A797942600	3-11	A797N10A01	22-3	A797R71111	39-25	A7AH264000	7A-22
A797815500	35-14	A797943000	2-21	A797N10B00	43-23	A797R71811	27-1	A7AH266300	5-12
A797815600	35-6	A797944100	33A-1	A797N10D00	37-1	A797R72022	23-1	A7AH266506	5-7
A797815700	35-1	A797944100	33-1	A797N10E00	10-25	A797R72122	25-1	A7AH266800	5-4
A797815800	35-3	A797944200	33-1	A797N10F00	13-2	A797R72355	5-5	A7AH266800	47-5
A797815901	31-6	A797944200	33A-1	A797N10H01	29-18	A797R72600	41-12	A7AH267000	5-2
A797890001	38-20	A797946400	28-9	A797N10K00	28-18	A797R72700	41-11	A7AH267201	5-3
A797890100	38-1	A797946500	35-17	A797N10M01	34-23	A797R73000	36-1	A7AH280400	7A-17
A797890201	38-23	A797F22004	40-9	A797N10N00	3-19	A797R73100	5-5	A7AH280400	7-24
A797890300	38-28	A797F23001	39-12	A797N10P01	17-22	A797R73200	23A-1	A7AH280500	7A-9
A797890500	38-3	A797F24001	12-1	A797N10Q02	19-28	A797R73300	25A-1	A7AH280500	7-16
A797890600	38-6	A797F25000	39-14	A797N10R01	33A-25	A797R73400	15-21	A7AH280700	7A-8
A797891000	38-10	A797F36500	12-9	A797N10R01	33-25	A797R73400	15-21	A7AH280700	7-15
A797891101	38-4	A797F40000	9-5	A797N10S00	33A-32	A797R73400	15-21	A7AH281300	7A-11
A797891200	38-9	A797F56005	16-4	A797N10S00	33-32	A797R73400	15-21	A7AH281300	7-18
A797891300	38-24	A797F5900A	32-1	A797N10V00	15-13	A798940100	1-11	A7AH281600	7A-12
A797891400	38-2	A797F59502	32-1	A797N10W00	15-12	A798N10C00	45-1	A7AH281600	7-19
A797891500	37-3	A797F7000D	29-20	A797N10X00	10-1	A7AH120102	21-8	A7AH281701	6-6
A797891800	38-19	A797F71003	27-12	A797N10Y00	10-26	A7AH121301	21-9	A7AH281800	7A-14
A797891900	38-16	A797F8900A	37-10	A797N11100	38-15	A7AH131301	43-29	A7AH281800	7-21
A797892000	38-21	A797H02118	43-9	A797N11300	43-6	A7AH131301	43-35	A7AH285102	6-1
A797892100	38-22	A797H02118	43-9	A797N11400	39-1	A7AH134600	4-1	A7AH285400	6-2
A797892200	37-4	A797M10300	37-2	A797N11500	14-3	A7AH161801	4-9	A7AH285502	6-3
A797892300	38-11	A797M10A00	7A-15	A797N11600	13-5	A7AH162001	4-7	A7AH560800	18-5

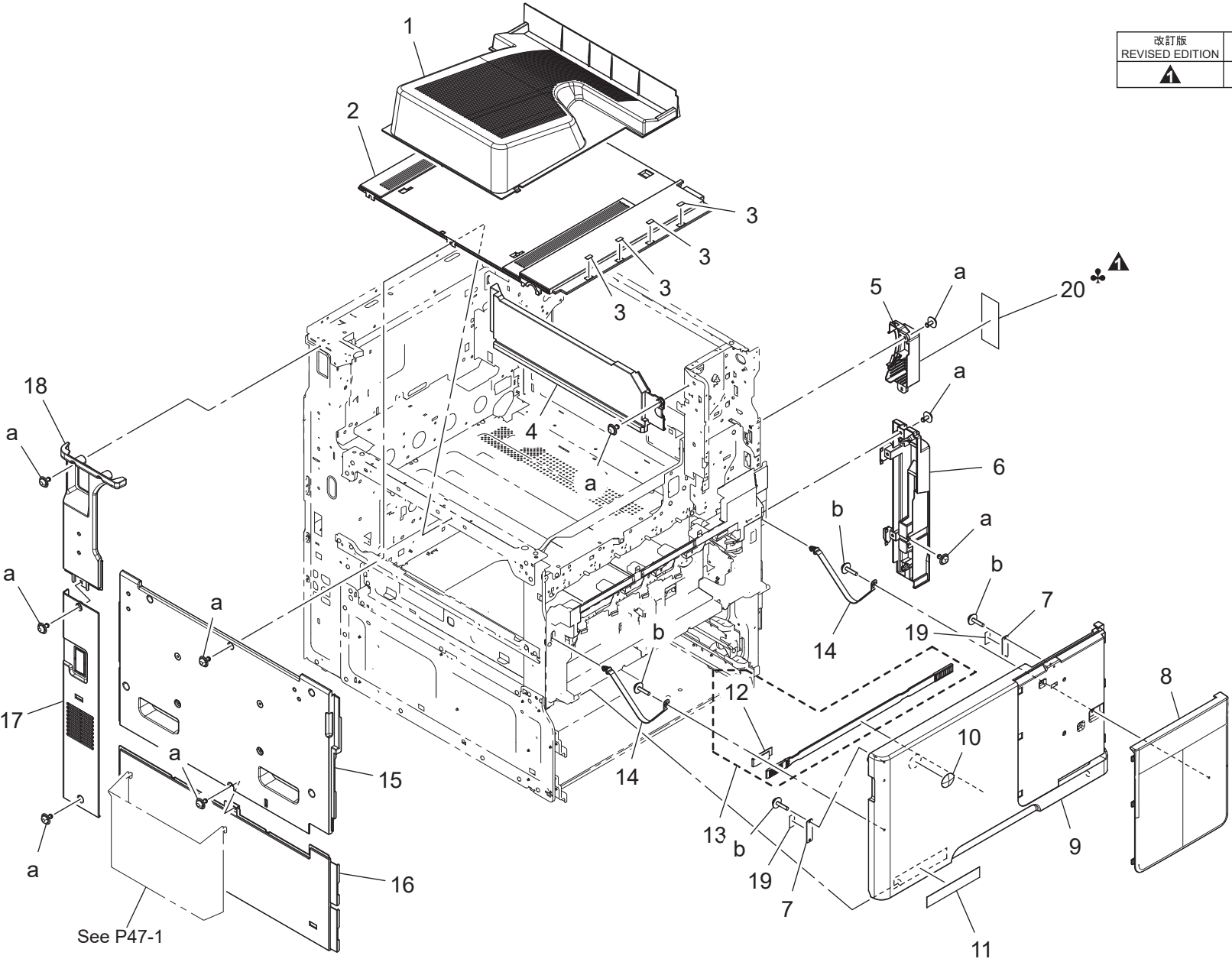
Parts No.	Page No.	Parts No.	Page No.	Parts No.	Page No.	Parts No.	Page No.	Parts No.	Page No.
A7AH560800	20-5	A7AH603400	33-34	A7AH621601	26-1	A7AH623700	26A-31	A7AH635100	24A-38
A7AH561300	18-7	A7AH603400	33A-34	A7AH621612	24-1	A7AH624100	23-5	A7AH635100	26A-38
A7AH561300	20-7	A7AH604300	32-17	A7AH621612	26-1	A7AH624100	23A-5	A7AH635200	24A-39
A7AH561601	17-21	A7AH604401	33-6	A7AH621701	24-17	A7AH624200	25-5	A7AH635200	26A-39
A7AH561601	19-27	A7AH604401	33A-6	A7AH621701	26-17	A7AH624200	25A-5	A7AH635300	24A-40
A7AH562100	17-19	A7AH604501	33A-2	A7AH621801	24A-14	A7AH624300	23A-11	A7AH635300	26A-40
A7AH562100	19-25	A7AH604501	33-2	A7AH621801	24-22	A7AH624300	23-11	A7AH635400	24A-41
A7AH562300	17-16	A7AH604700	32-25	A7AH621801	26A-14	A7AH624300	25A-11	A7AH635400	26A-41
A7AH562300	19-22	A7AH604900	32-21	A7AH621801	26-22	A7AH624300	25-11	A7AH941100	23A-8
A7AH562400	17-10	A7AH606400	33A-42	A7AH622100	24A-1	A7AH624500	24A-29	A7AH941100	23-8
A7AH562400	19-16	A7AH606600	33A-40	A7AH622100	24-3	A7AH624500	26A-29	A7AH941200	25A-8
A7AH562600	17-15	A7AH606700	33A-39	A7AH622100	26A-1	A7AH624600	24A-36	A7AH941200	25-8
A7AH562600	19-21	A7AH620200	23A-13	A7AH622100	26-3	A7AH624600	26A-36	A7AH941300	24A-11
A7AH562801	17-20	A7AH620400	24A-15	A7AH622201	24A-17	A7AH625101	23-10	A7AH941300	24-16
A7AH562801	19-26	A7AH620400	24-23	A7AH622201	24-25	A7AH625101	23A-10	A7AH941300	26A-11
A7AH562900	17-18	A7AH620400	26A-15	A7AH622201	26A-17	A7AH625200	25-10	A7AH941300	26-16
A7AH562900	19-24	A7AH620400	26-23	A7AH622201	26-25	A7AH625200	25A-10	A7AH942000	47-10
A7AH563101	18-13	A7AH620500	24A-32	A7AH622401	24A-8	A7AH626901	23A-9	A7AH942100	47-11
A7AH563101	20-13	A7AH620500	26A-32	A7AH622401	24-13	A7AH626901	23-9	A7AH943000	34-2
A7AH563400	17-17	A7AH620801	24-10	A7AH622401	26A-8	A7AH626901	25-9	A7AH943400	24A-42
A7AH563400	19-23	A7AH620801	26-10	A7AH622401	26-13	A7AH626901	25A-9	A7AH943400	26A-42
A7AH564112	18-1	A7AH620913	24A-33	A7AH622600	24A-34	A7AH627000	24A-16	A7AH943500	24A-43
A7AH564112	20-1	A7AH620913	26A-33	A7AH622600	26A-34	A7AH627000	24-24	A7AH943500	26A-43
A7AH565000	18-12	A7AH621000	24A-3	A7AH622700	24A-35	A7AH627000	26A-16	A7AH943600	26A-44
A7AH565000	20-12	A7AH621000	24-7	A7AH622700	26A-35	A7AH627000	26-24	A7AH943701	33A-43
A7AH565702	17-8	A7AH621000	26A-3	A7AH622901	23-3	A7AH628200	24A-6	A7AH947201	47-9
A7AH565702	19-14	A7AH621000	26-7	A7AH622901	23A-3	A7AH628200	24-11	A7AH947301	47-9
A7AH568900	16-2	A7AH621200	24A-4	A7AH622901	25A-3	A7AH628200	26A-6	A7AH947401	47-9
A7AH569400	16-1	A7AH621200	24-8	A7AH622901	25-3	A7AH628200	26-11	A7AH947600	47-9
A7AH600300	32-4	A7AH621200	26A-4	A7AH623201	23A-15	A7AH629600	24A-9	A7AHH00R00	7A-23
A7AH601100	32-5	A7AH621200	26-8	A7AH623201	23-15	A7AH629600	24-14	A7AHH02S02	43-13
A7AH601400	33A-22	A7AH621300	24-6	A7AH623201	25A-15	A7AH629600	26A-9	A7AHM20401	19-1
A7AH601400	33-22	A7AH621300	26-6	A7AH623201	25-15	A7AH629600	26-14	A7AHM20401	29-17
A7AH602200	32-15	A7AH621401	24A-13	A7AH623400	23A-4	A7AH629901	23A-2	A7AHM20401	32-19
A7AH602701	32-9	A7AH621401	24-21	A7AH623400	23-4	A7AH629901	23-2	A7AHM20401	40-23
A7AH603000	32-14	A7AH621401	26A-13	A7AH623400	25-4	A7AH629901	25-2	A7AHM20501	17-1
A7AH603100	32-22	A7AH621401	26-21	A7AH623400	25A-4	A7AH629901	25A-2	A7AHM20501	19-3
A7AH603200	32-23	A7AH621502	24-26	A7AH623602	24A-30	A7AH630200	25A-13	A7AHM50100	6-5
A7AH603300	33-11	A7AH621502	26-26	A7AH623602	26A-30	A7AH635000	24A-37	A7AHM50100	6-12
A7AH603300	33A-11	A7AH621601	24-1	A7AH623700	24A-31	A7AH635000	26A-37	A7AHM50400	29-16

Parts No.	Page No.
A7AHM90000	7A-5
A7AHM90000	7-10
A7AHM90100	7-9
A7AHM90100	7A-24
A7AHM90200	7A-4
A7AHM90200	7-4
A7AHN12800	6-9
A7AHN12S00	7A-25
A7AHN12T00	7A-26
A7AHN12V14	7-8
A7AHN12Y02	7A-3
A7AHN12Y02	7-3
A7AHN15100	43-20
A7AHN15A00	43-28
A7AHN15A00	43-34
A7AHN30000	47-13
A7AHR72711	32-24
A7PU135700	44-14
A7PU143300	41-3
A7PU169700	47-14
A7PU593100	33-40
A7PU593500	33A-9
A7PU593500	33-9
A7PU593700	33-42
A7PU701100	29-7
A7PU701200	29-8
A7PU941701	2-17
A7PU944500	33A-44
A7PUF60000	33-35
A7PUF60000	33A-35
A7PUM10000	40-1
A7PUM10100	39-26
A7PUM10400	34-12
A7PUM10700	10-20
A7PUM10700	39-2
A7PUM92600	43-31
A7PUN15300	4-17
A890R70033	7-1
A890R70211	7-5
A890R70300	7-1

Parts No.	Page No.
A890R70300	7A-1
A890R70400	7A-2
A8JEN30200	44-13
A8JJWY1	47-8
A8JJWY1	47-8
A8WVR70000	8-8
A90G138200	8-16
A90G169900	47-1
V153031004	47-6
V500010081	2-20
V500010081	46-1
V500010084	46-2
V500020052	46-10
V500020073	46-11
V500020082	46-3
V500020098	46-4
V500020099	46-5
V500020100	46-6
V570010057	46-7
V570010059	46-8
V570010060	46-9
V651010002	8-12
V800500300	27-9
V864800107	43-27
V865300085	43-36

EXTERNAL PARTS

改訂版 REVISED EDITION	日付 DATE
	AUGUST 2018



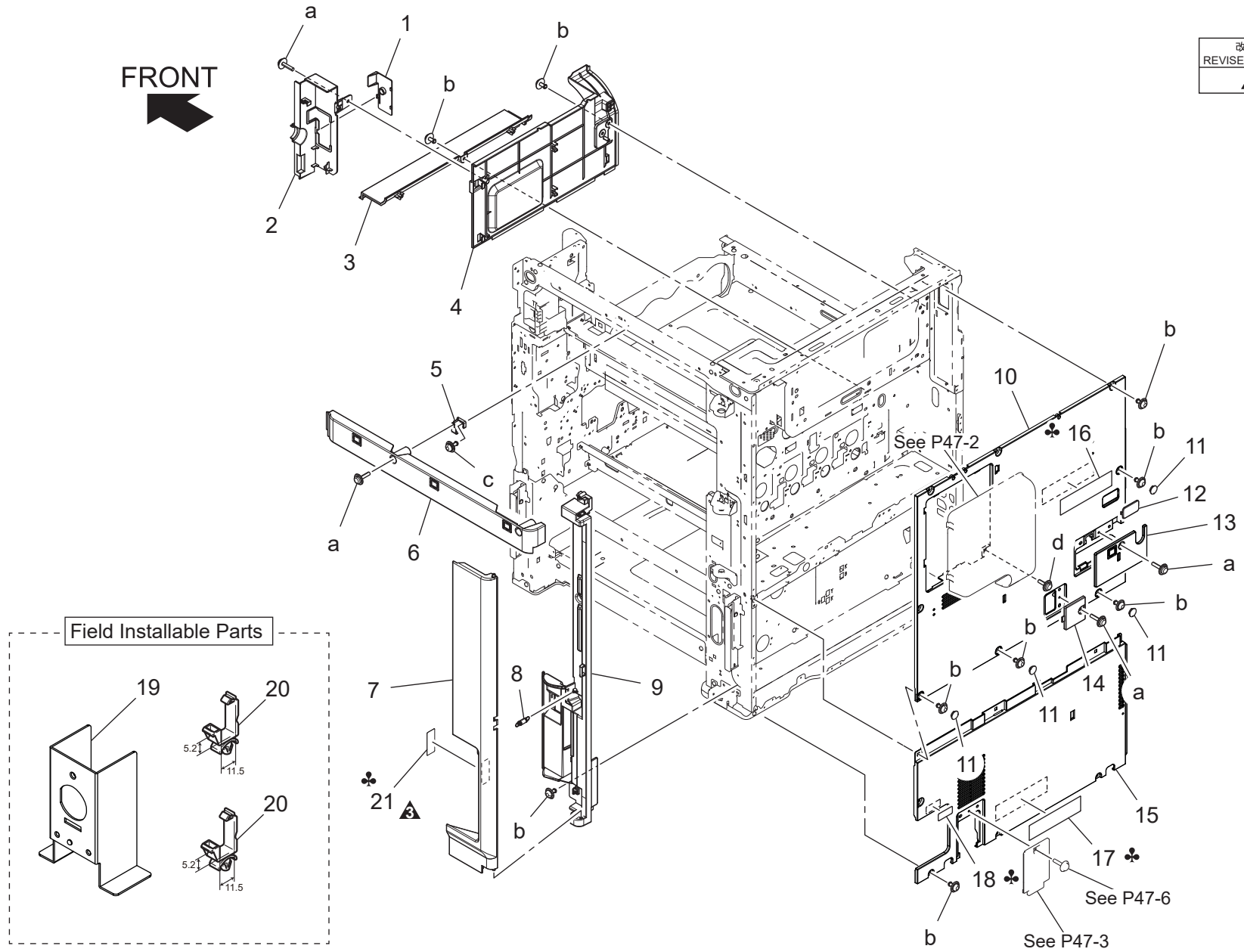
EXTERNAL PARTS

Key	Part No.	Description	Destinations	Class	QTY	Standard parts
1	A797161001	Paper exit Tray		C	1	a-V127030604 b-V153031004
2	A797160101	Cover /Upper		C	1	
3	A0ED940700	Label Toner 2		D	4	
4	A797164200	Paper exit Cover		C	1	
5	A797162500	Cover		C	1	
6	A797160400	Cover /Right front		C	1	
7	4038101401	SUCTION PLATE		D	2	
8	A797160300	Cover /Front		C	1	
9	A797160201	Open/close Cover /Front		C	1	
10	A00J945500	Logo Mark		C	1	
11	A798940100	Label bizhub C227	(bizhub C227)	C	1	
12	A00J106202	Cleaning Pad		C	1	
13	A5C1R71600	Cleaning Material		C	1	
14	A797162000	Band		D	2	
15	A797160701	Cover /Left front		C	1	
16	A797160600	Cover /Left		C	1	
17	A797161801	Cover /Left rear		C	1	
18	A797160801	Cover /Left rear		C	1	
19	A5C1404500	Seal		C	2	
20	A797749200	Operation Label	A,A1	C	1	
20	A797749300	Operation Label	J	C	1	

EXTERNAL PARTS

改訂版 REVISED EDITION	日付 DATE
	OCTOBER 2017

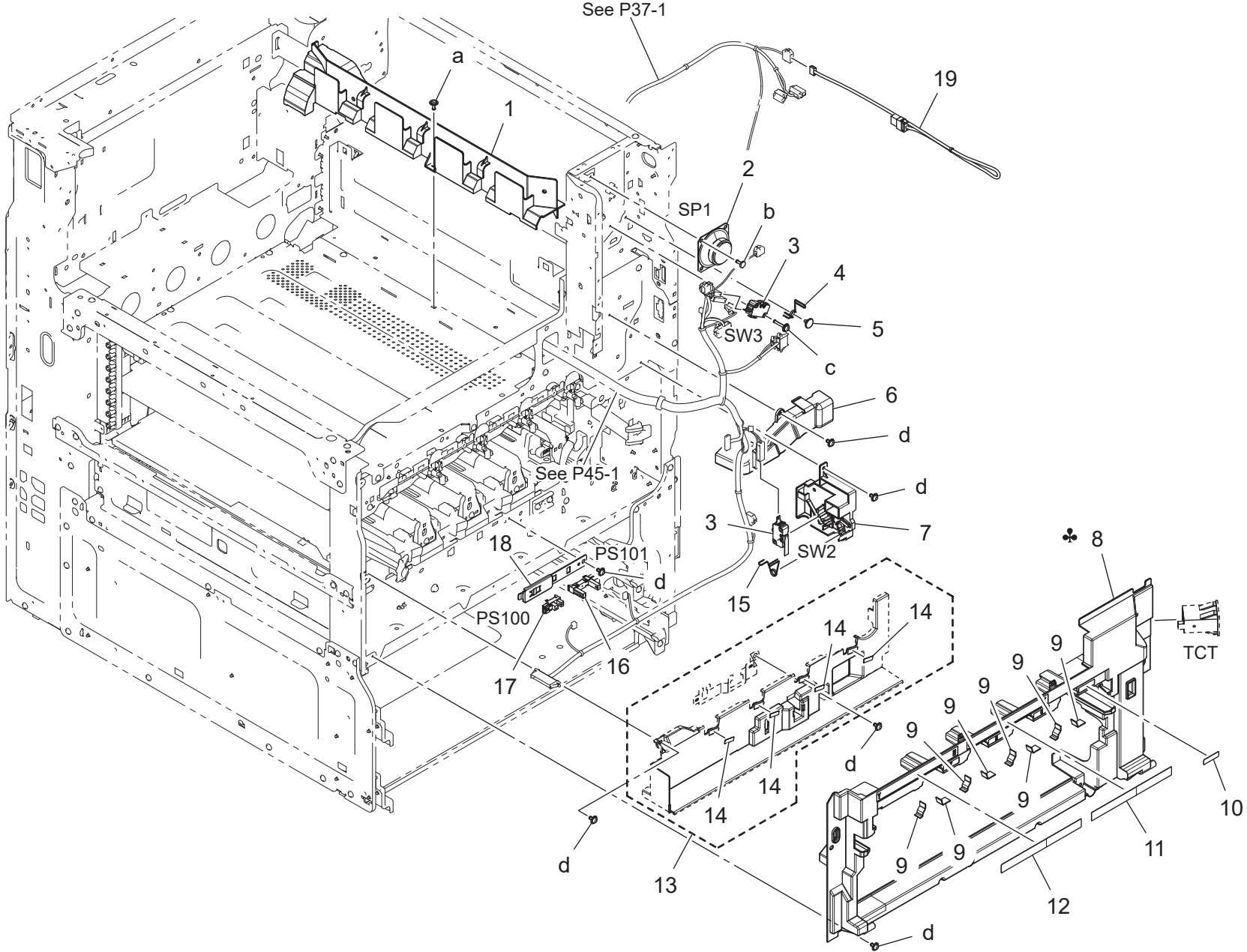
FRONT

EXTERNAL PARTS

Key	Part No.	Description	Destinations	Class	QTY	Standard parts
1	A797161300	Cover		C	1	a-V153031004 b-V127030604 c-V125030803 d-V153030803
2	A797161200	Cover		C	1	
3	A797163000	Cover		C	1	
4	A797161100	Cover		C	1	
5	A797138500	Mounting Plate		D	1	
6	A797161900	Cover /Right		C	1	
7	A797160500	Cover /Right rear		C	1	
8	A161163900	Pulling Coil spring		C	1	
9	A797160901	Cover /Right rear		C	1	
10	A797166103	Cover /Rear		C	1	
11	A00J169100	Cover		D	4	
12	A797166400	Cover		C	1	
13	A797163301	Cover		C	1	
14	A797164700	Cover /Rear		C	1	
15	A797166201	Cover /Rear		C	1	
16	A2X0945701	Label	B,C,G2,D1,D3,E,F2,G 1,I,K,J,H	C	1	
17	A7PU941701	Label Caution	C,I (South Africa)	C	1	
18	A02E149900	Label	A,A1	C	1	
19	A797P00100	Mounting Plate		D	1	
20	V500010081	Locking Wire Saddle		D	2	
21	A797943000	Label	A,A1(Model No.A7980 07)	D	1	

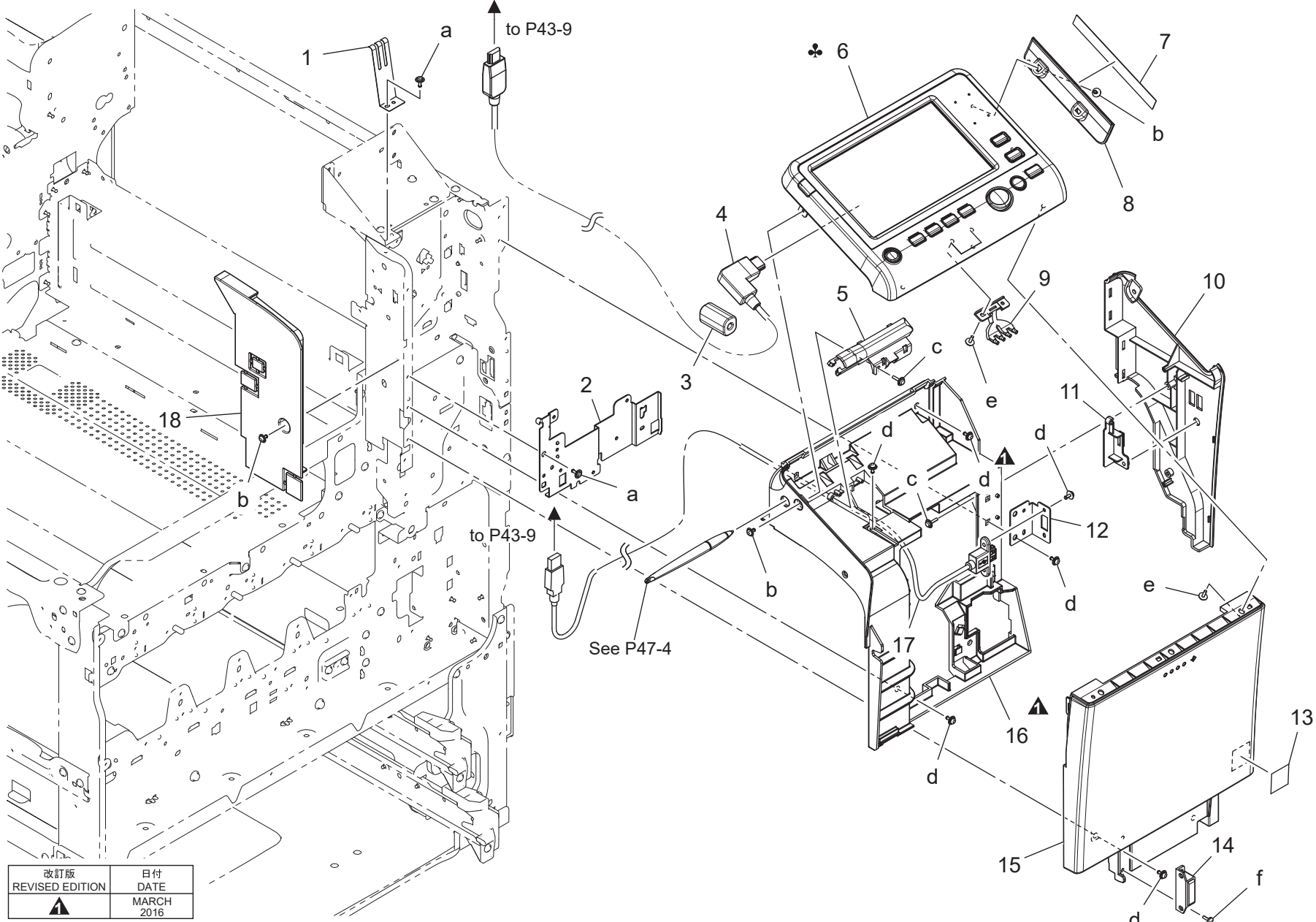
INNER COVER SECTION



INNER COVER SECTION

Key	Part No.	Description	Destinations	Class	QTY	Standard parts
1	A797151000	Duct		D	1	a-V144030803 b-V126030803 c-V116031603 d-V127030604
2	A0P0M73100	Speaker		D	1	
3	9J06M60100	MICRO SWITCH		C	2	
4	A161151200	Torsion Coil spring		D	1	
5	A161137100	Shoulder screw		D	1	
6	A797134800	Cover		D	1	
7	A797132302	Holder		D	1	
8	A797162102	Cover /Front	A,A1	C	1	
8	A797165102	Cover /Front	B,C,G2,D1,D3,E,F2,G 1,I,K,J,H	C	1	
9	A161165300	Protection Part		C	8	
10	A797942500	Label/ K		D	1	
11	A797942600	Label		D	1	
12	A797942100	Label		D	1	
13	A797R71000	2nd Front Cover/ Lower Assy		C	1	
14	A161943000	Label		C	4	
15	A161151300	Torsion Coil spring		D	1	
16	A0VDM50200	Photointerrupter		I	1	
17	A5C1M50100	Photointerrupter		B	1	
18	A797134600	Mounting Plate		D	1	
19	A797N10N00	Relay Wiring /1		D	1	

OPERATION PANEL SECTION




改訂版 REVISED EDITION	日付 DATE
▲	MARCH 2016

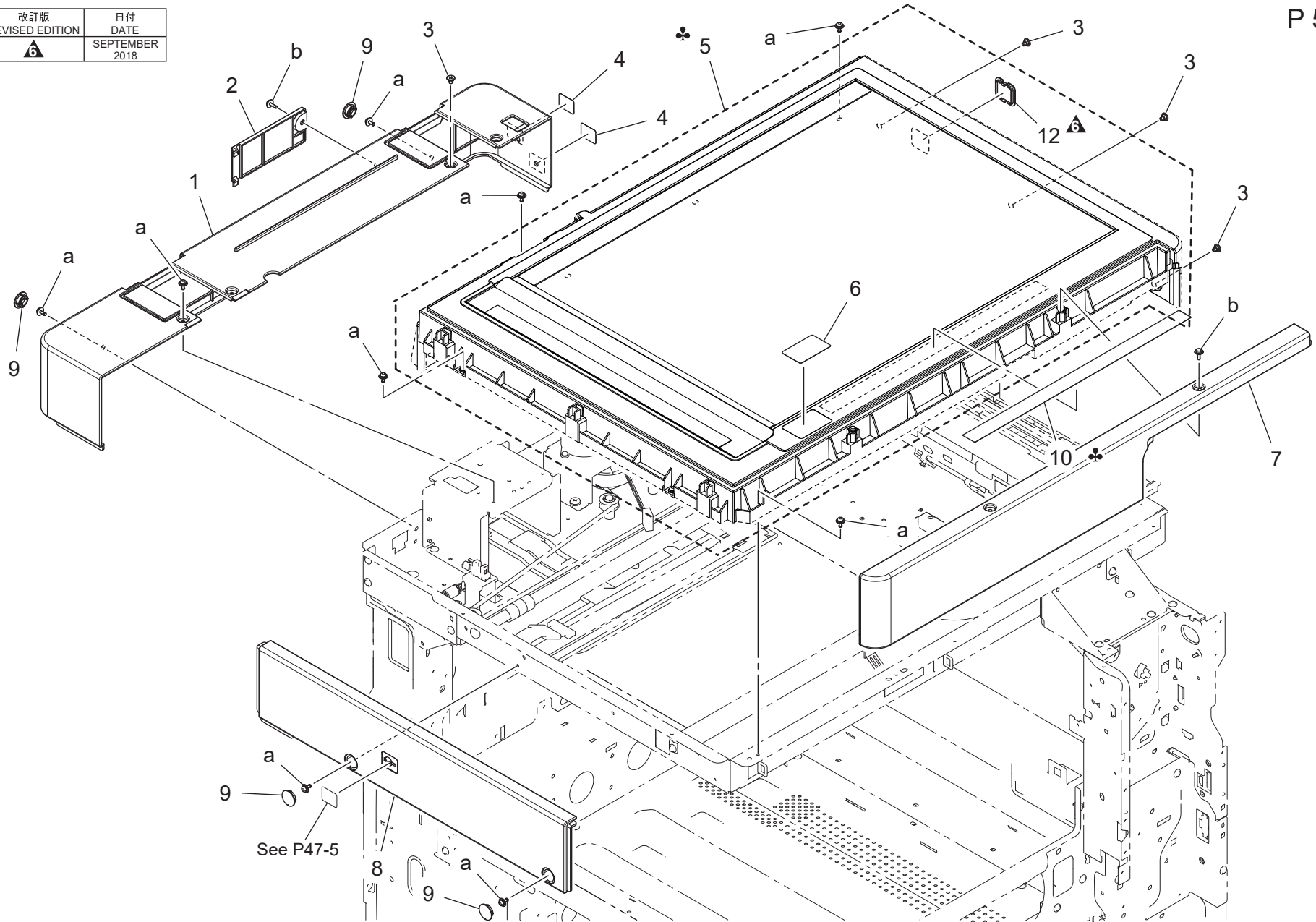
OPERATION PANEL SECTION

Key	Part No.	Description	Destinations	Class	QTY	Standard parts
1	A7AH134600	Ground Plate		D	1	a-V144030803 b-V127030604 c-V153031004 d-V125030803 e-V153030803 f-V149030803
2	A797162801	Mounting Plate		D	1	
3	A3EWM90300	Ferritecore		D	1	
4	A797N15600	Interface Cable		C	1	
5	A7AH162100	Holder		D	1	
6	A797M70002	Panel assembly	A,A1	I	1	
6	A797M70102	Panel assembly	B,G2,D1,D3,E,F2,G1, I(Except South Africa),K	I	1	
6	A797M70202	Panel assembly	C,I (South Africa)	I	1	
6	A797M70302	Panel assembly	J	I	1	
6	A797M70402	Panel assembly	H	I	1	
7	A7AH162001	Seal		C	1	
8	A797166700	Cover		C	1	
9	A7AH161801	Lens		C	1	
10	A797161500	Cover /Right		C	1	
11	A797166601	Cover		C	1	
12	A797134501	Mounting Plate		D	1	
13	A011946200	Label Emperon		D	1	
14	A0G6411200	Magnet /X		D	1	
15	A797161701	Cover /Front		C	1	
16	A797161400Old	Cover		D	1	
16	A797161411	Cover		D	1	
17	A7PUN15300	Interface Cable	インターフェースケーブル (USB (前面))	D	1	
18	A797161600	Cover /Left	カバー/左	C	1	

SCANNER SECTION

改訂版 REVISED EDITION	日付 DATE
	SEPTEMBER 2018

P 5




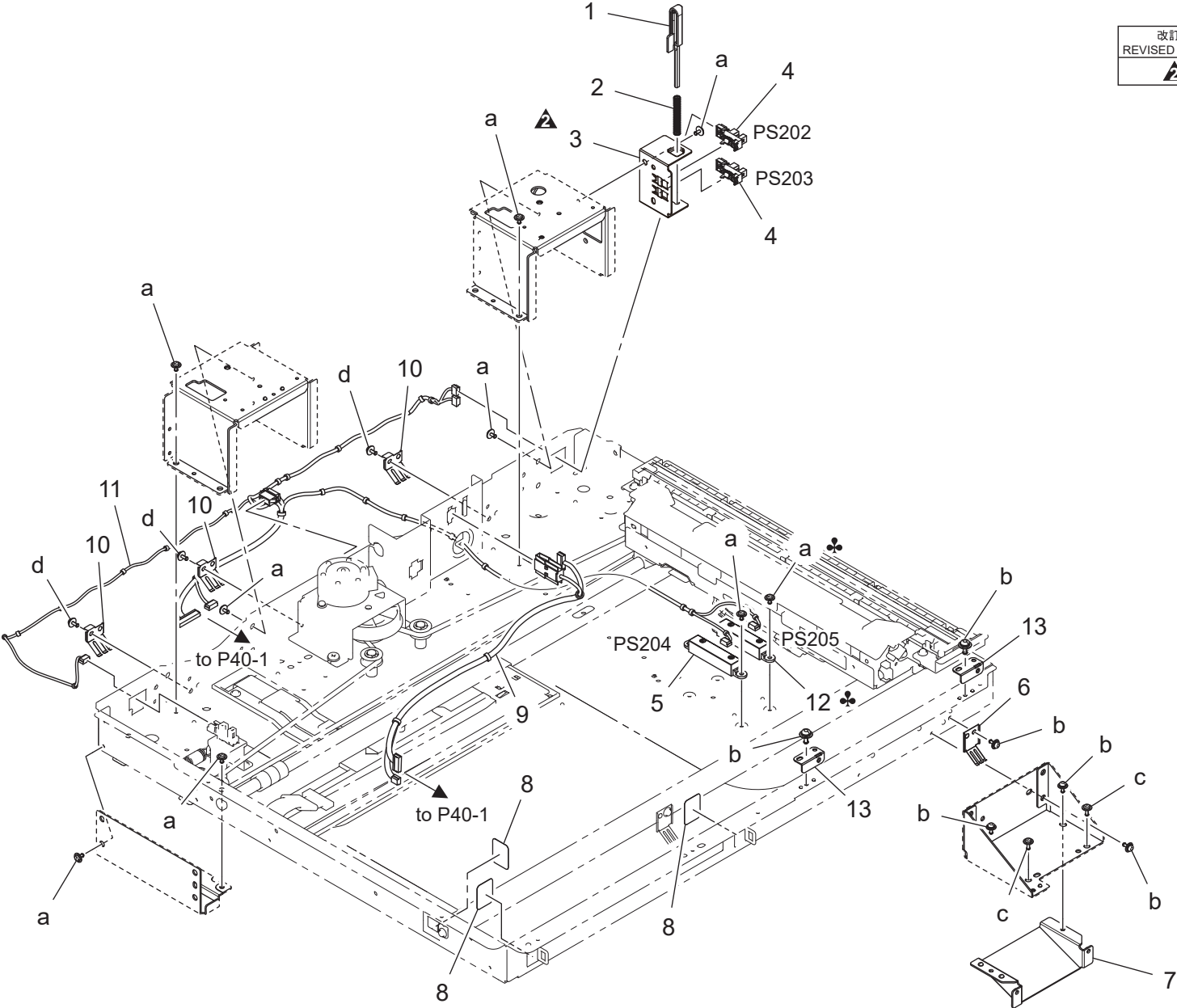
See P47-5

SCANNER SECTION

Key	Part No.	Description	Destinations	Class	QTY	Standard parts
1	A797266200	Read Cover /Rear		C	1	a-V125030803 b-V153030803
2	A7AH267000	読取カバー/後		C	1	
3	A7AH267201	Shoulder screw		C	4	
4	A7AH266800	Seal		C	2	
5	A797R73100	IR Cover /Upper Assy (Inch)	B,G2	C	1	
5	A797R72355	IR Cover /Upper Assy (Metric)	A,A1,C,D1,D3,E,F2,G 1,H,I,J,K	C	1	
6	A0HF952400	Label		C	1	
7	A7AH266506	読取カバー/前		C	1	
8	A797266601	読取カバー/左		C	1	
9	A02E167700	蓋		C	4	
10	A3EW944600	ラベル (複製禁止事項)	A,A1	C	1	
12	A7AH266300	カバー		D	1	

SCANNER SECTION

改訂版 REVISED EDITION	日付 DATE
	APRIL 2017

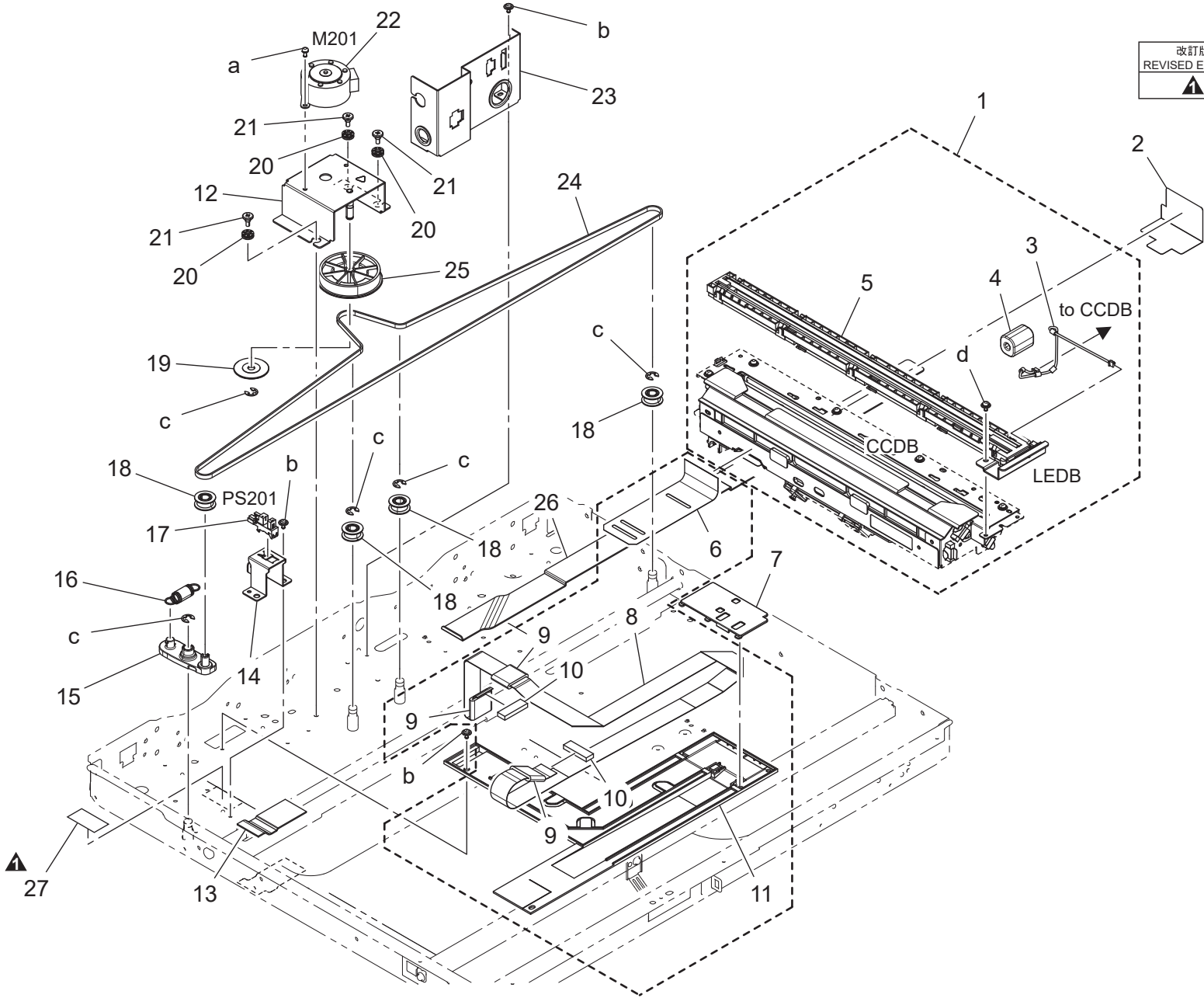


SCANNER SECTION

Key	Part No.	Description	Destinations	Class	QTY	Standard parts
1	A7AH285102	Lever		C	1	a-V144030603 b-V125030803 c-V144030803 d-V116030603
2	A7AH285400	Compressing Coil spring		C	1	
3	A7AH285502	Mounting Plate		D	1	
4	A5C1M50100	Photointerrupter		B	2	
5	A7AHM50100	APS Photoreflector		C	1	
6	A7AH281701	Ground Plate spring		D	1	
7	A7AH262602	Mounting Plate /Right front		D	1	
8	4581162501	SEAL		C	3	
9	A7AHN12800	Harness /ADF Relay		D	1	
10	A7AH262501	Ground Plate spring		D	3	
11	A797N11800	Scanner Wiring /1		D	1	
12	A7AHM50100	APS Photoreflector	B,C,G2,I (South Africa) (option)	C	1	
13	A7AH263600	Fixing Plate		D	2	

SCANNER SECTION

改訂版 REVISED EDITION	日付 DATE
▲	NOVEMBER 2017



SCANNER SECTION

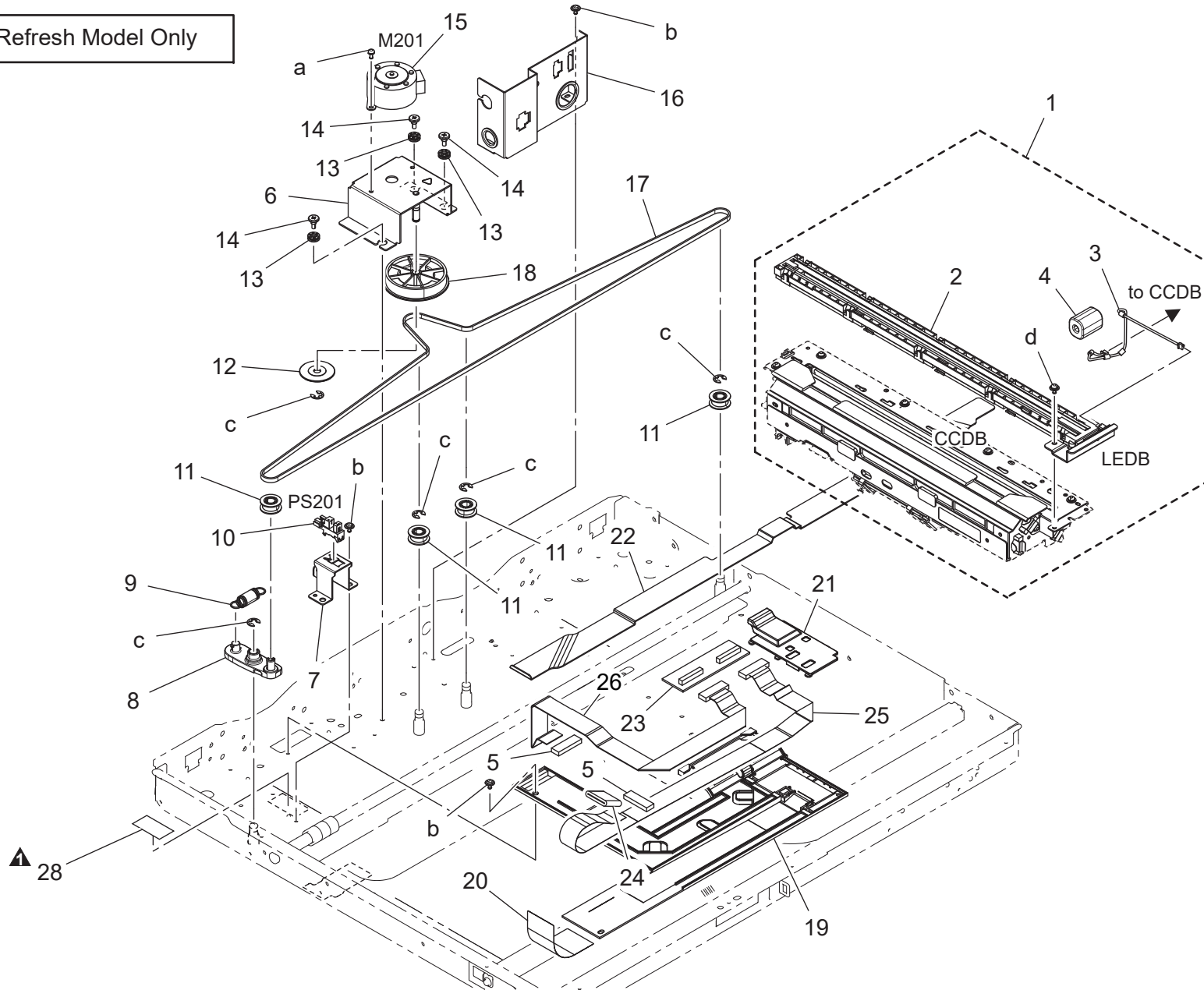
Key	Part No.	Description	Destinations	Class	QTY	Standard parts
1	A890R70033Old	Scan-IR unit		I	1	a-V115030603 b-V144030603 c-V217050001 d-V116030603
1	A890R70300	Scan-IR unit		I	1	
2	A7AH263000	Insulating Part		D	1	
3	A7AHN12Y02	Harness /Scanner		D	1	
4	A7AHM90200	Ferritecore		C	1	
5	A890R70211	LED exposure unit		C	1	
6	A7AH262911	Guide Sheet		D	1	
7	A7AH262101	Mounting Cover		D	1	
8	A7AHN12V14	Harness /Scanner		D	1	
9	A7AHM90100	Ferritecore		D	3	
10	A7AHM90000	Connector		D	2	
11	A7AH261813	Mounting Plate		D	1	
12	A797280800	Mounting Plate		D	1	
13	A7AH263100	Tape		C	1	
14	A7AH261700	Mounting Plate		D	1	
15	A7AH280700	Adjusting Plate		C	1	
16	A7AH280500	Pulling Spring		C	1	
17	A5C1M50100	Photointerrupter		B	1	
18	A7AH281300	Idling Pulley		C	4	
19	A7AH281600	Washer		C	1	
20	A4EU138000	Support Rubber		D	3	
21	A7AH281800	Shoulder screw		C	3	
22	A797M10A00	PM Stepping motor		C	1	
23	A797261900	Mounting Plate		D	1	
24	A7AH280400	Belt 1196L		C	1	
25	A797280900	Gear 120T		C	1	
26	A7AH262700	Protection Mat		C	1	
27	4581162501	SEAL		C	1	

SCANNER SECTION

Refresh Model Only

P 7A

改訂版 REVISED EDITION	日付 DATE
▲	NOVEMBER 2017

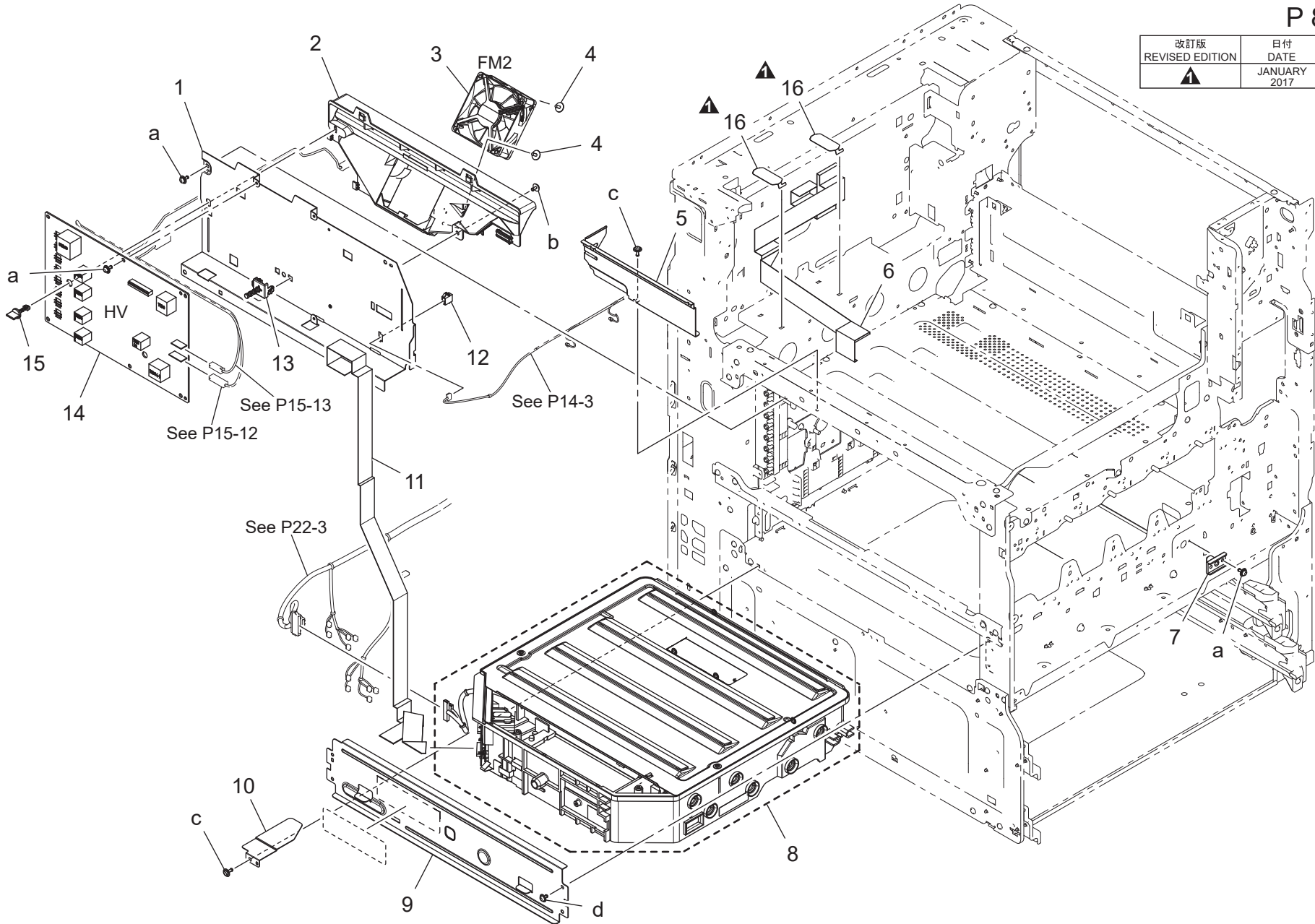


SCANNER SECTION

Key	Part No.	Description	Destinations	Class	QTY	Standard parts
1	A890R70300	Scan-IR unit		I	1	a-V115030603 b-V144030603 c-V217050001 d-V116030603
2	A890R70400	LED Lighting Assy	(Refresh Model)	C	1	
3	A7AHN12Y02	Harness /Scanner	(Refresh Model)	D	1	
4	A7AHM90200	Ferritecore	(Refresh Model)	C	1	
5	A7AHM90000	Connector	(Refresh Model)	D	2	
6	A797280800	Mounting Plate	(Refresh Model)	D	1	
7	A7AH261700	Mounting Plate	(Refresh Model)	D	1	
8	A7AH280700	Adjusting Plate	(Refresh Model)	C	1	
9	A7AH280500	Pulling Spring	(Refresh Model)	C	1	
10	A5C1M50100	Photointerrupter	(Refresh Model)	B	1	
11	A7AH281300	Idling Pulley	(Refresh Model)	C	4	
12	A7AH281600	Washer	(Refresh Model)	C	1	
13	A4EU138000	Support Rubber	(Refresh Model)	D	3	
14	A7AH281800	Shoulder screw	(Refresh Model)	C	3	
15	A797M10A00	PM Stepping motor	(Refresh Model)	C	1	
16	A797261900	Mounting Plate	(Refresh Model)	D	1	
17	A7AH280400	Belt 1196L	(Refresh Model)	C	1	
18	A797280900	Gear 120T	(Refresh Model)	C	1	
19	A7AH263700	Mounting Plate	(Refresh Model)	D	1	
20	A7AH263800	Protection Sheet /Left	(Refresh Model)	D	1	
21	A7AH263900	Mounting Cover	(Refresh Model)	D	1	
22	A7AH264000	Protection Mat	(Refresh Model)	C	1	
23	A7AHH00R00	Relay board	(Refresh Model)	C	1	
24	A7AHM90100	Ferritecore	(Refresh Model)	D	1	
25	A7AHN12S00	Scanner Wiring /5	(Refresh Model)	D	1	
26	A7AHN12T00	Scanner Wiring /6	(Refresh Model)	D	1	
28	4581162501	SEAL	(Refresh Model)	C	1	

PH UNIT/HIGH VOLTAGE SECTION

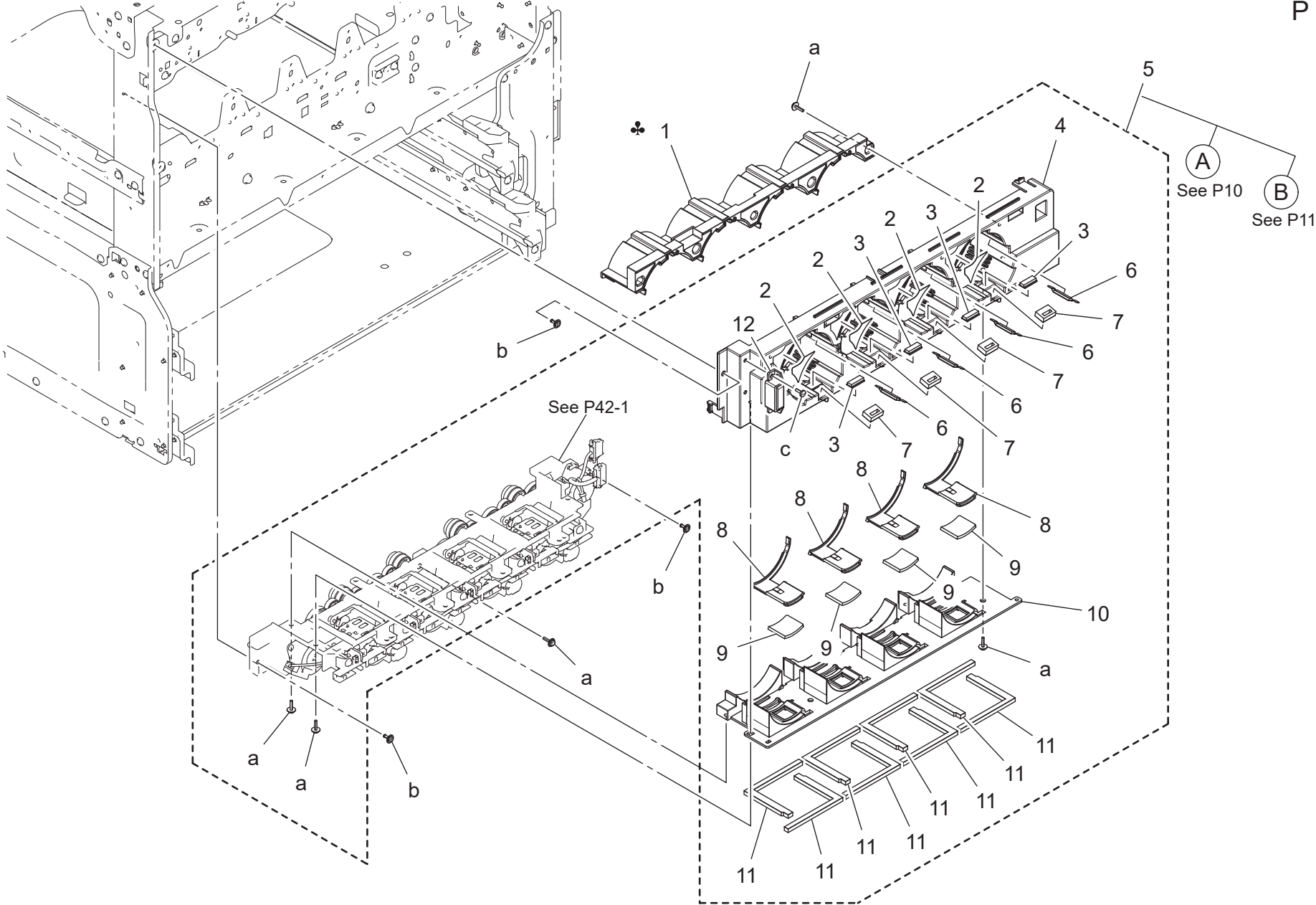
改訂版 REVISED EDITION	日付 DATE
	JANUARY 2017



PH UNIT/HIGH VOLTAGE SECTION

Key	Part No.	Description	Destinations	Class	QTY	Standard parts
1	A797151201	Mounting Plate		D	1	a-V125030803 b-V127030604 c-V144030803 d-V127030604
2	A797151102	Duct		D	1	
3	4139M10000	Fan motor		B	1	
4	4163529301	SCREW		C	2	
5	A797134000	Protection Cover		D	1	
6	A797N12001	Flatcable		D	1	
7	A161105400	Positioning Plate		D	1	
8	A8WVR70000	Print Head Assy		I	1	
9	A797102200	Mounting Plate		D	1	
10	A797138100	Holder		D	1	
11	A797N12100	Flatcable		C	1	
12	V651010002	connector		D	1	
13	A797151400	Cover Post		C	1	
14	A797M40601	High voltage unit		I	1	
15	A797151500	Stopper Shaft		C	1	
16	A90G138200	Fixing Plate		D	2	

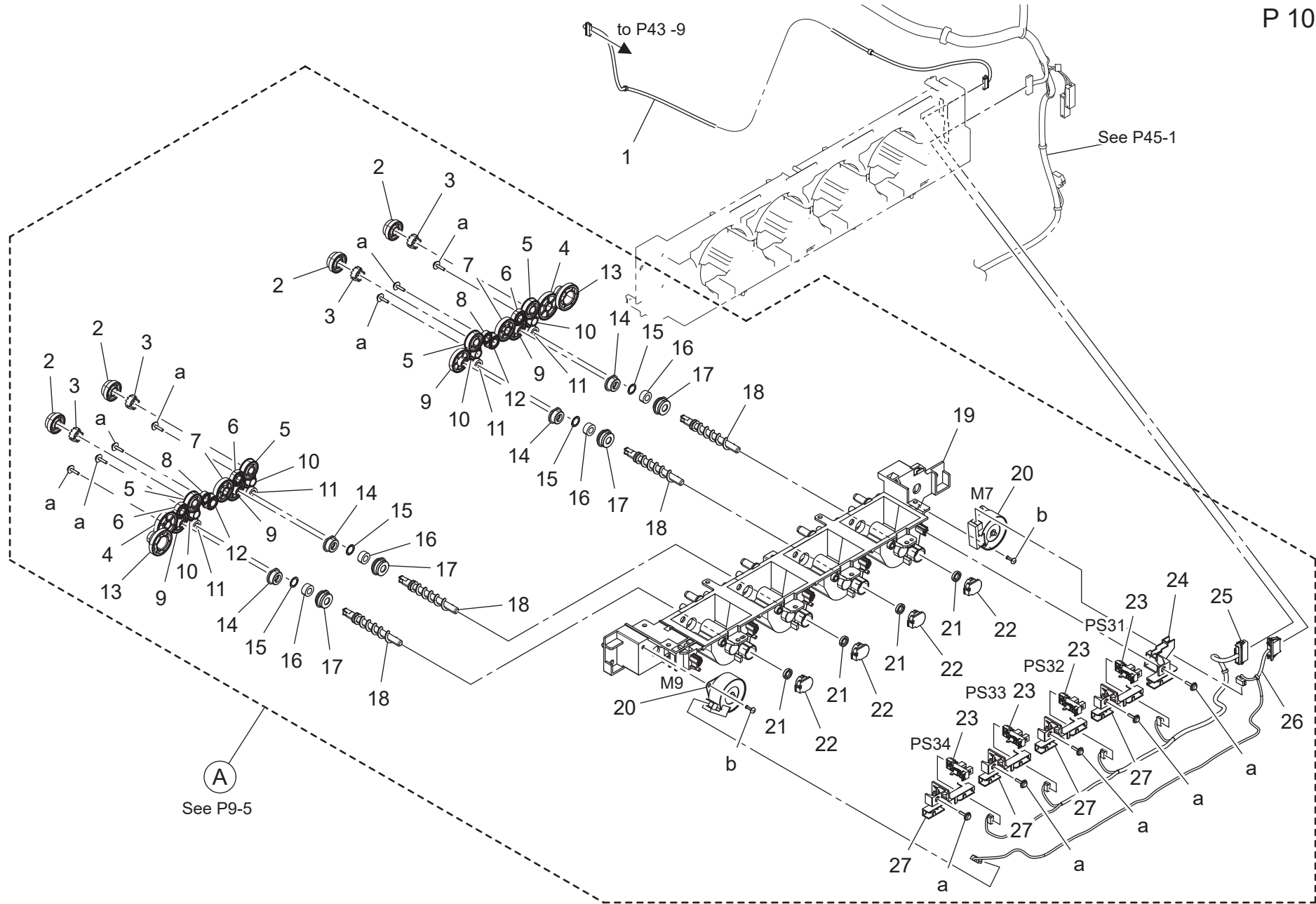
TONER SUPPLY SECTION



TONER SUPPLY SECTION

Key	Part No.	Description	Destinations	Class	QTY	Standard parts
1	A797402600	Cover	A,A1	D	1	a-V153031004 b-V144030803 c-V149030803
1	A797405100	Cover	B,G2	D	1	
1	A797405200	Cover	C,I (South Africa)	D	1	
1	A797405300	Cover	D1,D3,E,F2,G1,I (Ex cept South Africa), K,J,H	D	1	
2	A0ED940600	Label Toner 1		D	4	
3	A161404001	Seal /1		D	4	
4	A797402502	Cover	シール / 1 (トナー拭き取り) カバー	D	1	
5	A797F40000	Sub Hopper ASSY	サブホッパー A s s y	S	1	
6	A161403901	Spacer	スペーサ (調整部材)	D	4	
7	A797404000	Seal	シール	C	4	
8	A797402800	Shutter	シャッタ	D	4	
9	A161402502	Seal	シール (補給口)	D	4	
10	A797402700	Cover	カバー	D	1	
11	A797403300	Seal	シール	C	8	
12	A0G6411200	Magnet /X	マグネット / X	D	1	

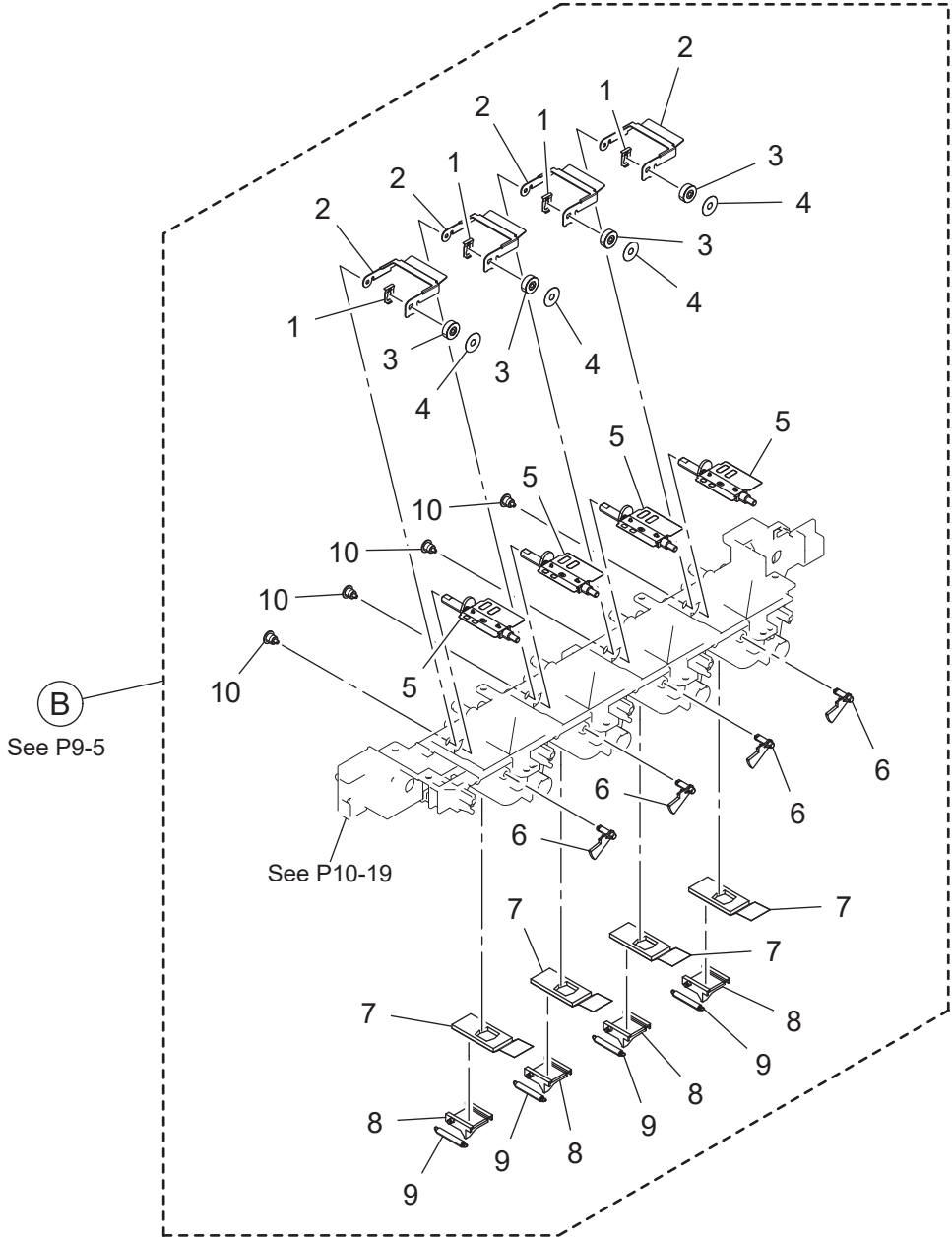
TONER SUPPLY SECTION



TONER SUPPLY SECTION

Key	Part No.	Description	Destinations	Class	QTY	Standard parts
1	A797N10X00	Toner Drive harness /1		D	1	a-V153031004 b-V145030803
2	A797402100	Gear 30T		C	4	
3	A797402200	Coupling		C	4	
4	A797401400	Gear 44T		C	2	
5	A797402000	Gear 31T		C	4	
6	A797401500	Gear 24T		C	3	
7	A797401600	Gear 37T		C	2	
8	A797401800	Gear 19T		C	2	
9	A797401100	Gear 36T		C	4	
10	A797401200	Gear 24T		C	4	
11	A797401000	Gear 18T		C	4	
12	A797401700	Gear 22T		C	2	
13	A797401300	Gear 17/65T		C	2	
14	4163510201	BUSHING		C	4	
15	A797402300	Spacer		D	4	
16	4576536301	SEAL		D	4	
17	A161403101	Holder		C	4	
18	A161400100	Screw		C	4	
19	A797400000	Casing		D	1	
20	A7PUM10700	Stepping motor		C	2	
21	4333501201	SEAL		D	4	
22	A161403000	Bushing		D	4	
23	A5C1M50100	Photointerrupter		B	4	
24	A797400900	Holder		D	1	
25	A797N10E00	Toner Detection harness		D	1	
26	A797N10Y00	Toner Drive harness /2		D	1	
27	A797400700	Mounting Plate		D	4	

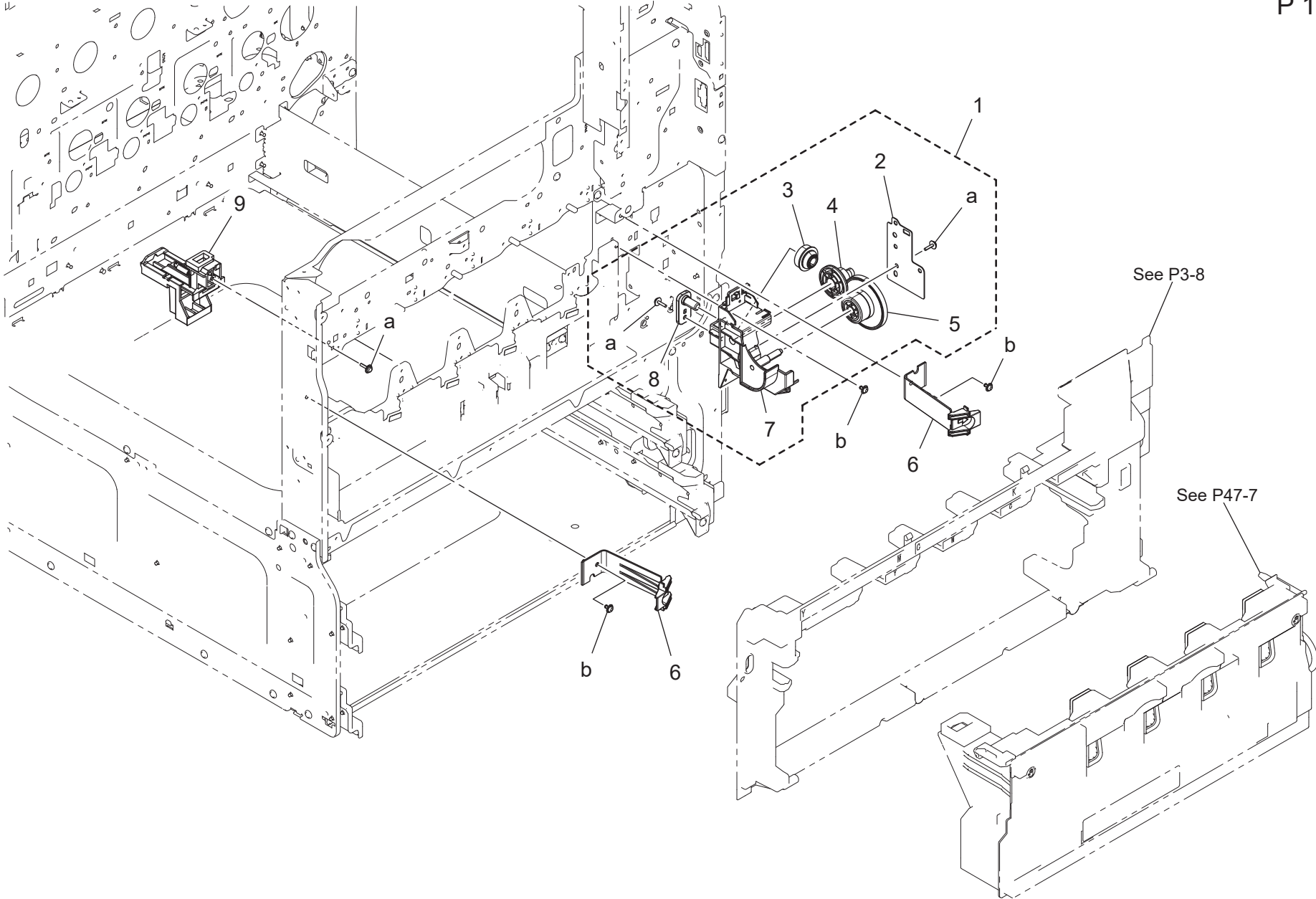
TONER SUPPLY SECTION



TONER SUPPLY SECTION

Key	Part No.	Description	Destinations	Class	QTY	Standard parts
1	A161404200	Fixing Plate		D	4	
2	A161400401	Detecting Plate		D	4	
3	A161400601	Detecting Seal		D	4	
4	A5C1404600	Washer		D	4	
5	A5C1F42000	Agitating Shaft		D	4	
6	A161404300	Detecting Actuator		D	4	
7	A161403200	Seal		D	4	
8	A0ED401000	Shutter		D	4	
9	4036534801	TENSION SPRING		C	4	
10	A161400800	Pin		D	4	

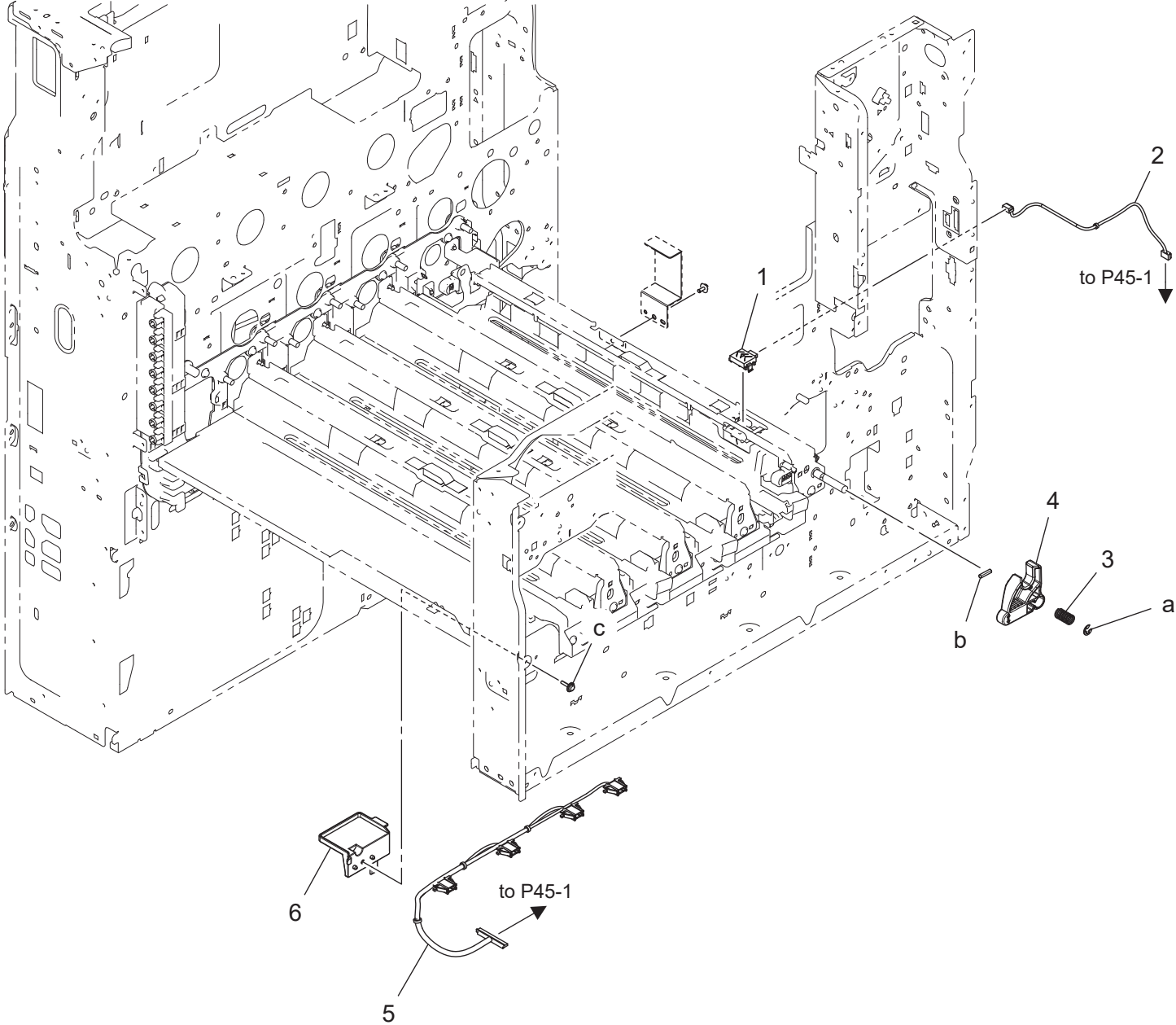
WASTE TONER BOX SECTION



WASTE TONER BOX SECTION

Key	Part No.	Description	Destinations	Class	QTY	Standard parts
1	A797F24001	Waste Toner Drive Assy		S	1	a-V153031004 b-V127030604
2	A797245500	Hold Plate		D	1	
3	A0ED245000	Gear 20/20T		D	1	
4	A161245100	Gear 16/40T		D	1	
5	A161245400	Gear 16/51T		D	1	
6	A161165700	Fixing Claw		D	2	
7	A797258601	Holder		D	1	
8	A797245300	Shaft		D	1	
9	A797F36500	Waste Toner Pipe Assy		C	1	

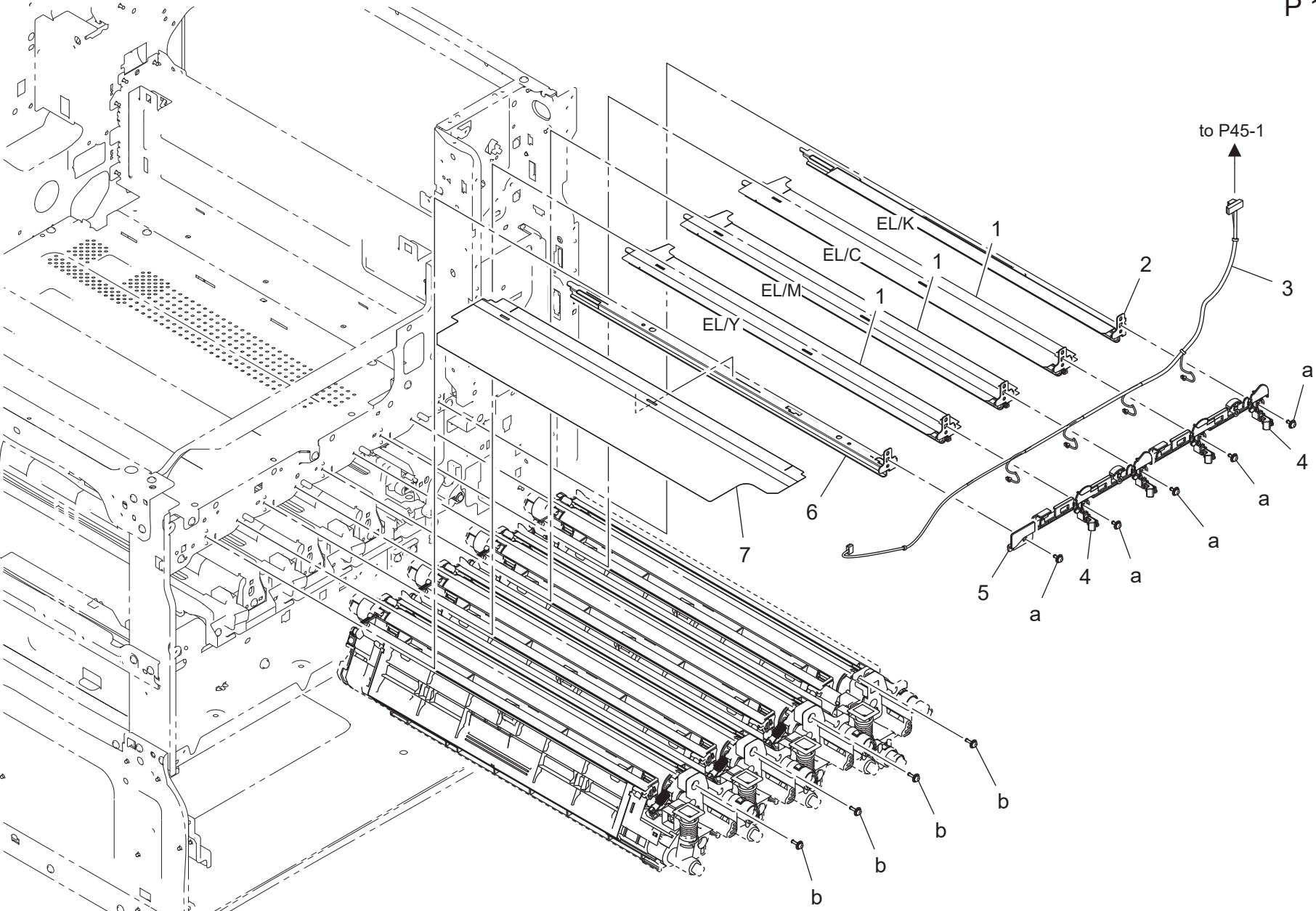
DV LOCK LEVER SECTION



DV LOCK LEVER SECTION

Key	Part No.	Description	Destinations	Class	QTY	Standard parts
1	A0EDM60001	Relay Connector		D	1	a-V217040001 b-V234301250 c-V153031004
2	A797N10F00	Photoconductor Detection harness /K		D	1	
3	A161119500	Compressing Coil spring		D	1	
4	A161116202	Release Lever		D	1	
5	A797N11600	Developing Relay harness		D	1	
6	A797115400	Holder		D	1	

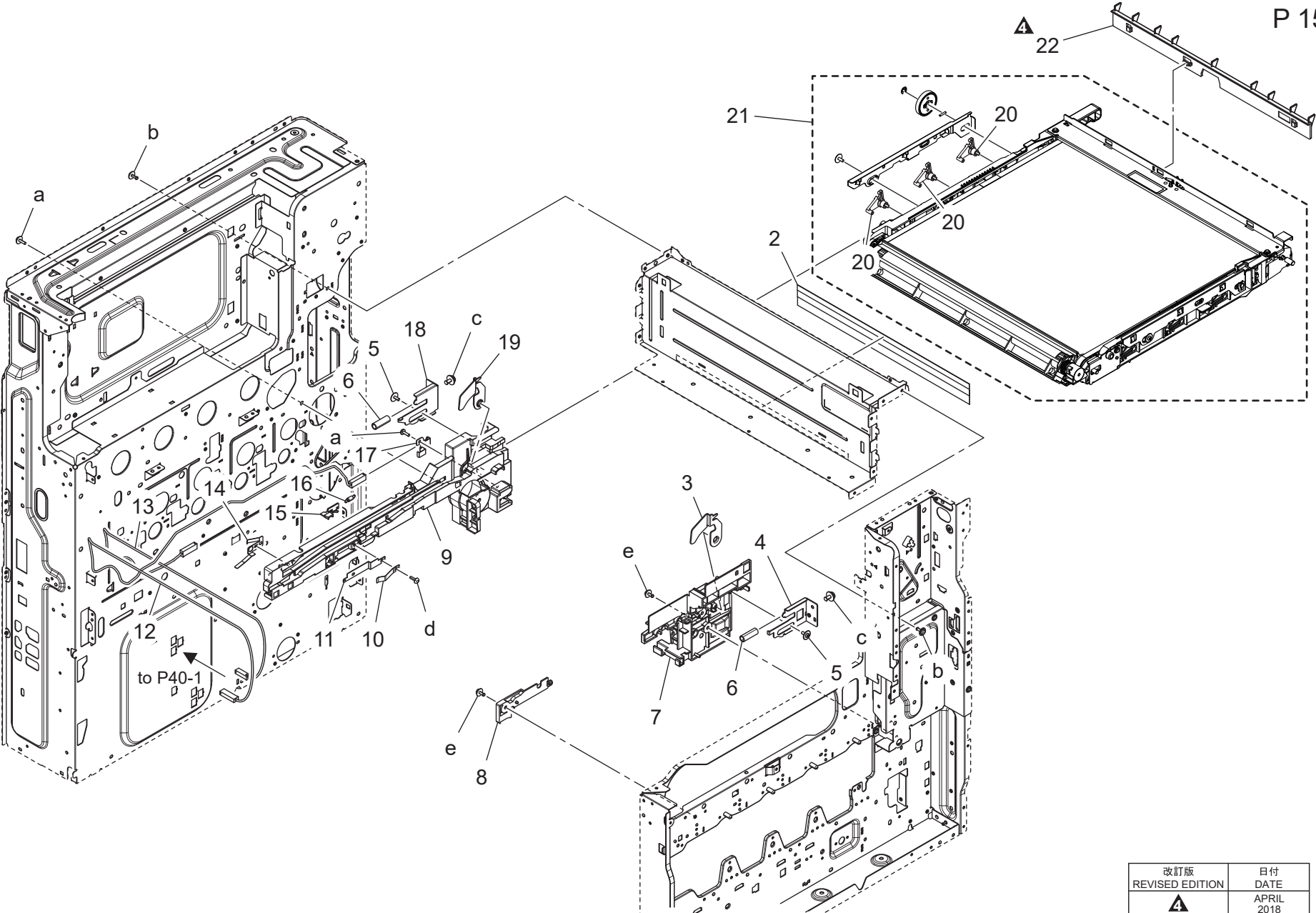
ERASE LAMP SECTION



ERASE LAMP SECTION

Key	Part No.	Description	Destinations	Class	QTY	Standard parts
1	A797R70400	Erase/ YMC Assy		C	3	a-V125030803 b-V116031003
2	A797R70500	Erase/ K Assy		C	1	
3	A797N11500	Relay Wiring /2		D	1	
4	A797134701	Holder		D	2	
5	A161138500	Guide		D	1	
6	A797105600	Rail		D	1	
7	A797105700	Seal		C	1	

IMAGE TRANSFER BELT SECTION




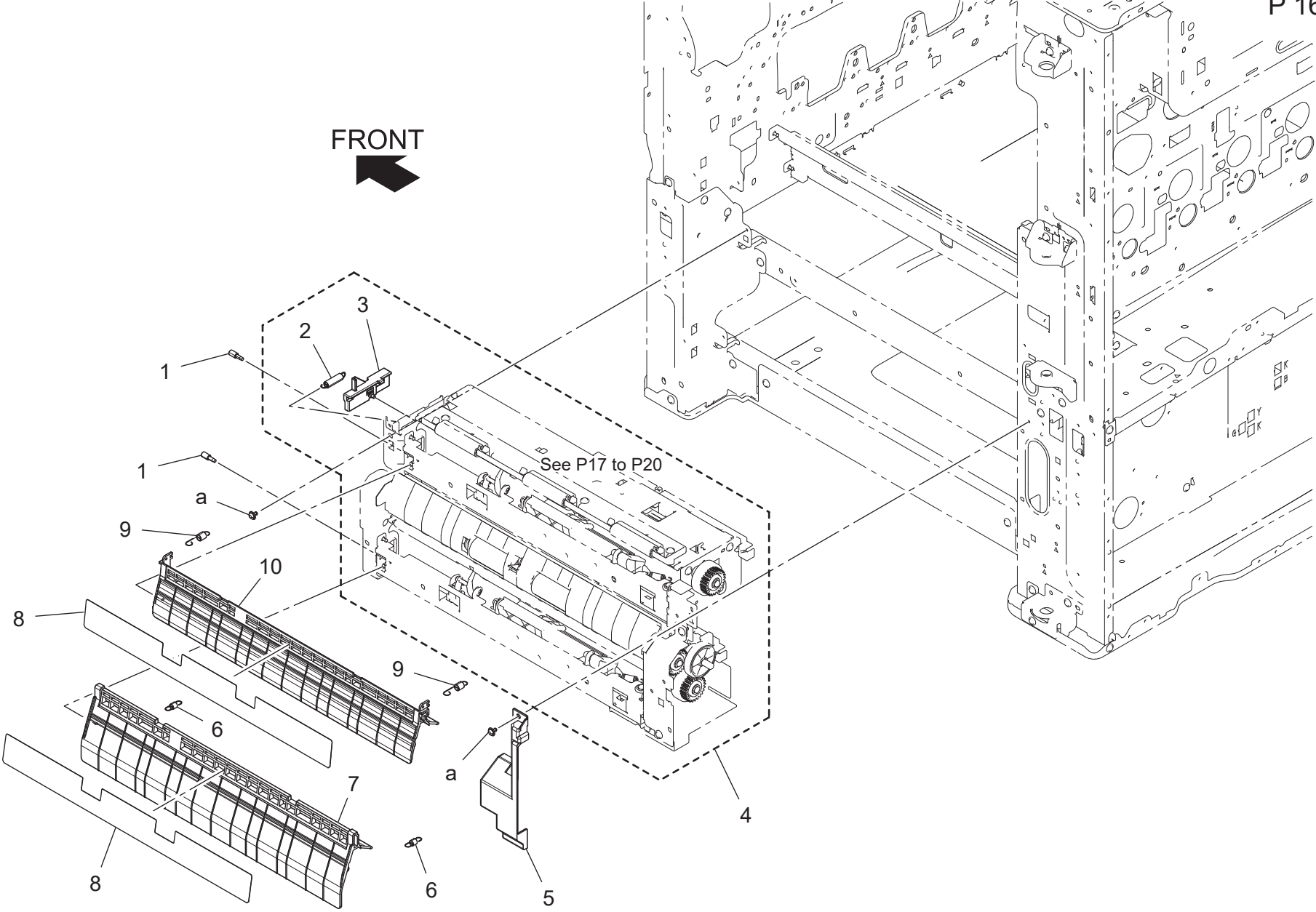
改訂版 REVISED EDITION	日付 DATE
	APRIL 2018

IMAGE TRANSFER BELT SECTION

Key	Part No.	Description	Destinations	Class	QTY	Standard parts
2	A797102701	Seal		C	1	a-V153031004 b-V144030803 c-V116040803 d-V145030803 e-V125030803
3	A5C1112800	Arm /Front		D	1	
4	A161112500	Lever /Front		D	1	
5	4163529301	SCREW		C	2	
6	A0ED111000	Compressing Coil spring		D	2	
7	A797110200	Rail		D	1	
8	A161110300	Rail		D	1	
9	A797110101	Rail		D	1	
10	A0ED111500	Contact /Color		D	1	
11	A797111700	Contact		D	1	
12	A797N10W00	Transfer Wiring /2		D	1	
13	A797N10V00	Transfer Wiring /1		D	1	
14	A0ED112000	Contact		D	1	
15	A161110500	Detecting Plate		D	1	
16	A0ED110900	Pulling Coil spring		C	1	
17	A797112300	Contact		D	1	
18	A797112100	Lever /Rear		D	1	
19	A797112900	Arm /Rear		D	1	
20	A0ED501301	Lever /Rear		D	3	
21	A797R73400	Image Transfer Belt Unit	A,A1	A	1	
21	A797R73400	Image Transfer Belt Unit	B,G2	A	1	
21	A797R73400	Image Transfer Belt Unit	C,I(South Africa) D1,D3,E,F2,G1,I(Exc ept South Africa),K ,J,H	A	1	
22	A797508400	Guide		D	1	

PAPER FEED SECTION

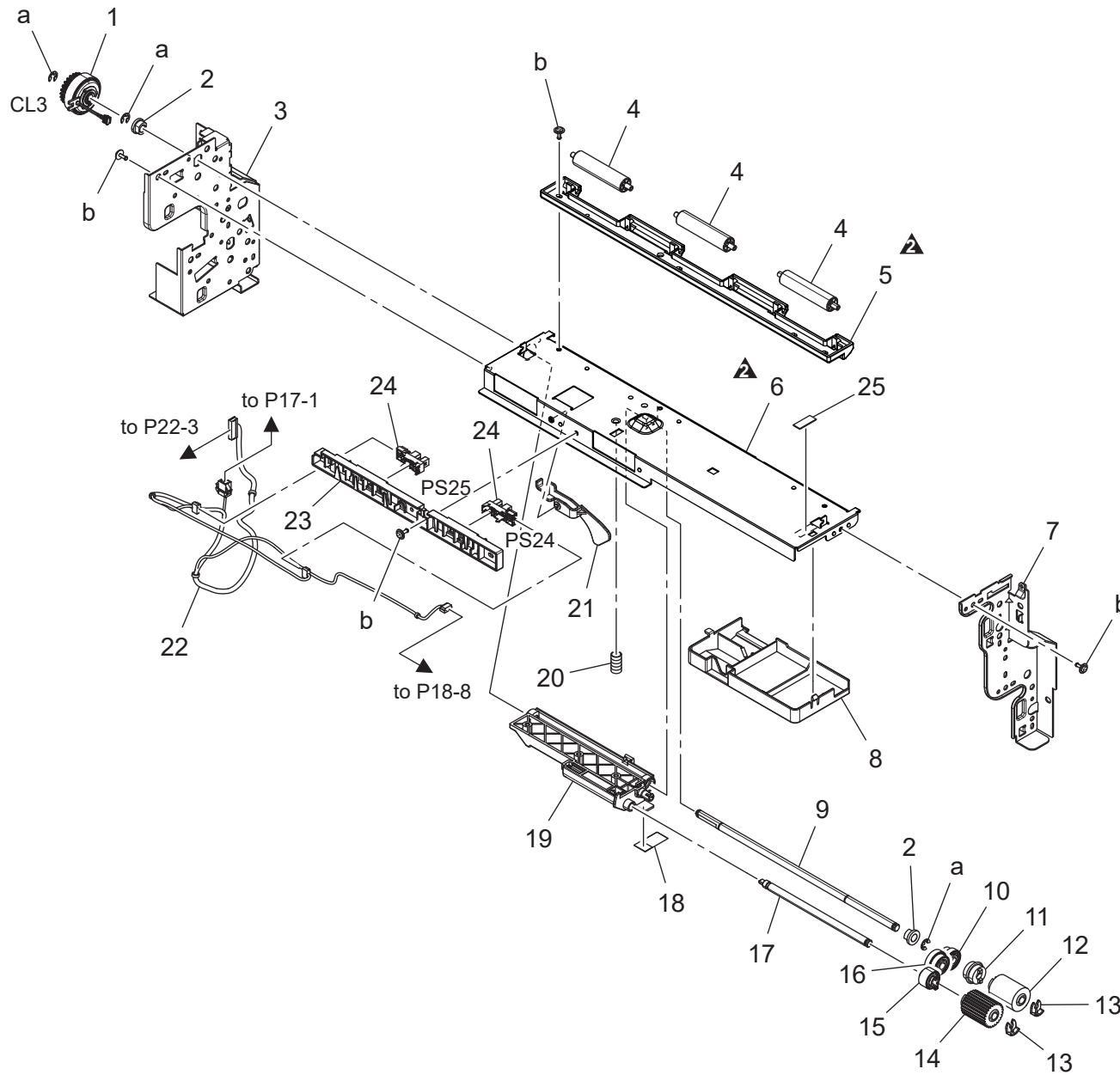


PAPER FEED SECTION

Key	Part No.	Description	Destinations	Class	QTY	Standard parts
1	A7AH569400	Shoulder screw		C	2	a-V127030604
2	A7AH568900	Pulling Coil spring		C	1	
3	A797568800	Open/close Lever		D	1	
4	A797F56005	Paper Feed ASSY		S	1	
5	A797579000	Cover		D	1	
6	A797568300	Pulling Coil spring		C	2	
7	A797578401	Paper feed Guide/ 2nd		C	1	
8	A797568500	Guide		C	2	
9	A797568900	Pulling Coil spring		C	2	
10	A797568400	Paper feed Guide/ 1st		C	1	

1ST PAPER FEED SECTION


改訂版 REVISED EDITION	日付 DATE
	OCTOBER 2016

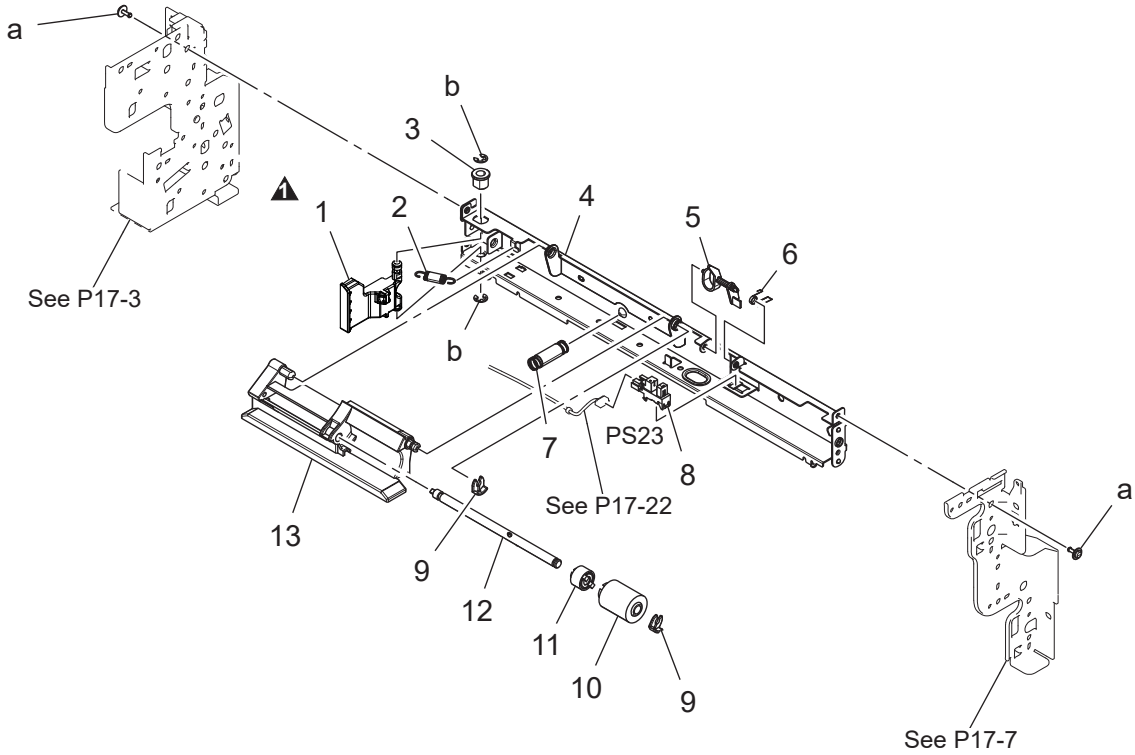


1ST PAPER FEED SECTION

Key	Part No.	Description	Destinations	Class	QTY	Standard parts
1	A7AHM20501	Clutch		C	1	a-V217040001 b-V144030803
2	A00J663200	Bushing		C	2	
3	A797560201	Frame /Rear		D	1	
4	A161825700	Idler Roller /A		D	3	
5	A797566012	Mounting Plate		D	1	
6	A797565200Old	Paper feed Frame		D	1	
6	A797565211	Paper feed Frame		D	1	
7	A797560101	Frame /Front		D	1	
8	A7AH565702	Conveyance Guide		D	1	
9	A797560500	Paper feed Shaft		D	1	
10	A7AH562400	Paper feed Gear		C	1	
11	A02E561100	Clutch		C	1	
12	A00J563600	Roller		A	1	
13	56AA40490	SHAFT STOPPER 4		C	2	
14	A5C1562200	Roller		A	1	
15	A7AH562600	Conveyance Gear 28T		C	1	
16	A7AH562300	Idling Gear		C	1	
17	A7AH563400	Support Shaft		D	1	
18	A7AH562900	Protection Sheet		C	1	
19	A7AH562100	Conveyance Guide /4		D	1	
20	A7AH562801	Compressing Coil spring		C	1	
21	A7AH561601	Detecting Lever		C	1	
22	A797N10P01	Paperfeed Detection harness		D	1	
23	A797579600	Guide		D	1	
24	A5C1M50100	Photointerrupter		B	2	
25	4109553001	Stopper		C	1	

1ST PAPER FEED SECTION

改訂版 REVISED EDITION	日付 DATE
	JANUARY 2018

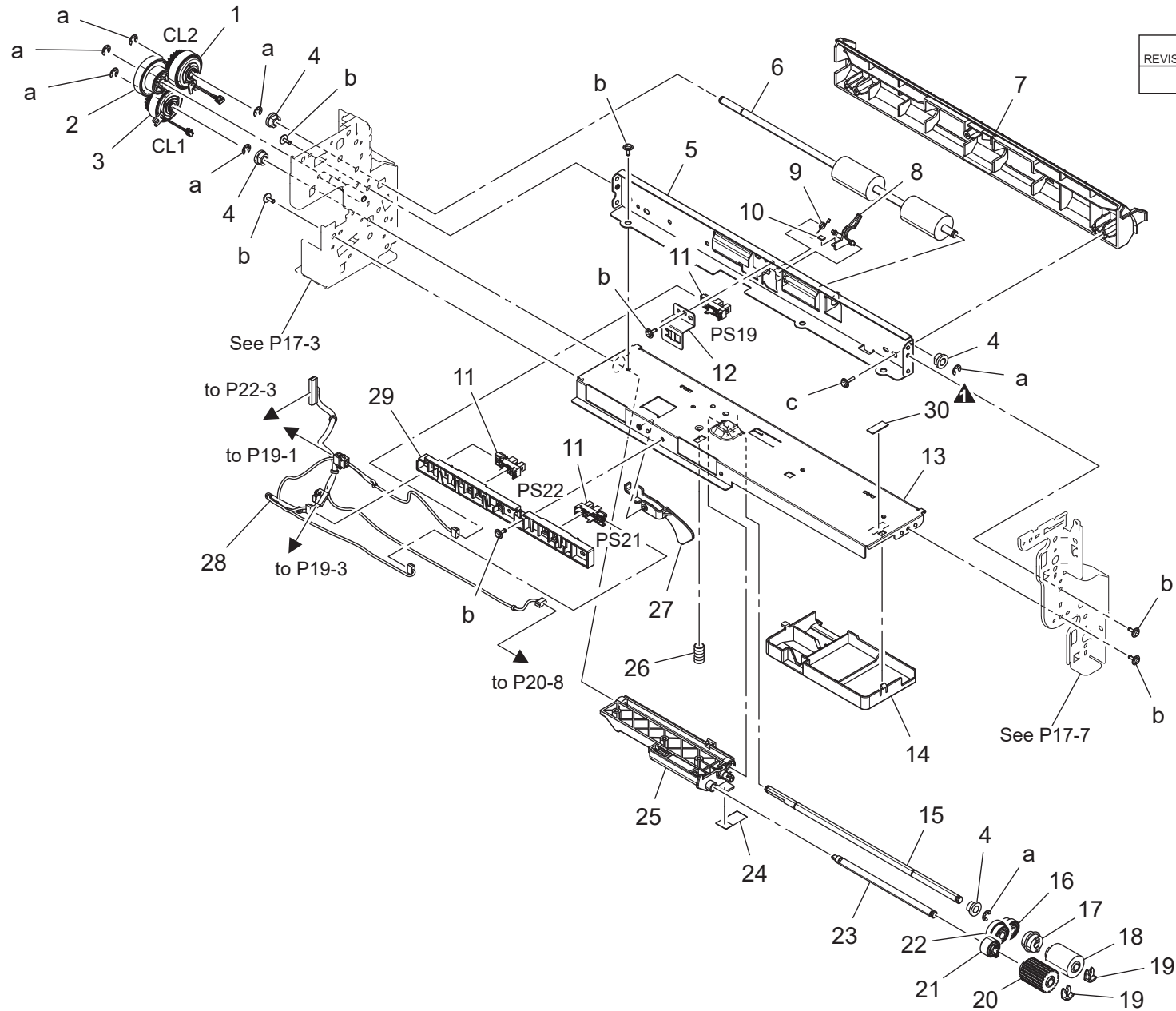


1ST PAPER FEED SECTION

Key	Part No.	Description	Destinations	Class	QTY	Standard parts
1	A7AH564112	Release Lever		C	1	a-V144030803 b-V217040001
2	A797564400	Pulling Coil spring		C	1	
3	A02E815200	BUSHING		C	1	
4	A797563900	Frame		D	1	
5	A7AH560800	Actuator		C	1	
6	A797560701	Torsion Coil spring		C	1	
7	A7AH561300	Compressing Coil spring		C	1	
8	A5C1M50100	Photointerrupter		B	1	
9	56AA40490	SHAFT STOPPER 4		C	2	
10	A00J563600	Roller		A	1	
11	A0ED563900	Torque limiter		C	1	
12	A7AH565000	Support Shaft		D	1	
13	A7AH563101	Holder		D	1	

2ND PAPER FEED SECTION

改訂版 REVISED EDITION	日付 DATE
▲	FEBRUARY 2016

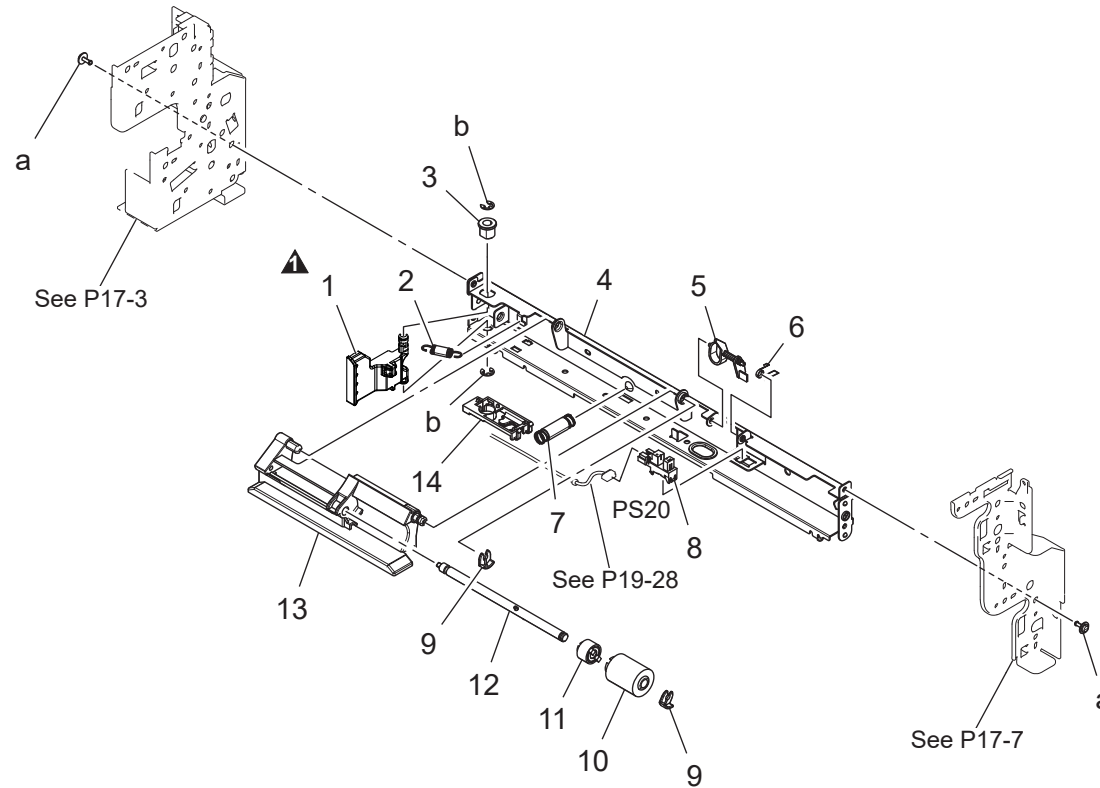


2ND PAPER FEED SECTION

Key	Part No.	Description	Destinations	Class	QTY	Standard parts
1	A7AHM20401	Clutch		C	1	a-V217040001 b-V144030803 c-V153031004
2	A797563700	Gear 20/32T		C	1	
3	A7AHM20501	Clutch		C	1	
4	A00J663200	Bushing		C	4	
5	A797579100	Mounting Plate		D	1	
6	A797578100	Drive Roller		C	1	
7	A797578200	Conveyance Guide		C	1	
8	A797578600	Actuator		C	1	
9	A797578800	Torsion Coil spring		C	1	
10	A161702101	Cushion /C		C	1	
11	A5C1M50100	Photointerrupter		B	3	
12	A797579300	Mounting Plate		D	1	
13	A797565300	Paper feed Frame		D	1	
14	A7AH565702	Conveyance Guide		D	1	
15	A797560600	Paper feed Shaft		D	1	
16	A7AH562400	Paper feed Gear		C	1	
17	A02E561100	Clutch		C	1	
18	A00J563600	Roller		A	1	
19	56AA40490	SHAFT STOPPER 4		C	2	
20	A5C1562200	Roller		A	1	
21	A7AH562600	Conveyance Gear 28T		C	1	
22	A7AH562300	Idling Gear		C	1	
23	A7AH563400	Support Shaft		D	1	
24	A7AH562900	Protection Sheet		C	1	
25	A7AH562100	Conveyance Guide /4		D	1	
26	A7AH562801	Compressing Coil spring		C	1	
27	A7AH561601	Detecting Lever		C	1	
28	A797N10Q02	Paperfeed Detection harness		D	1	
29	A797579600	Guide		D	1	
30	4109553001	Stopper		C	1	

2ND PAPER FEED SECTION

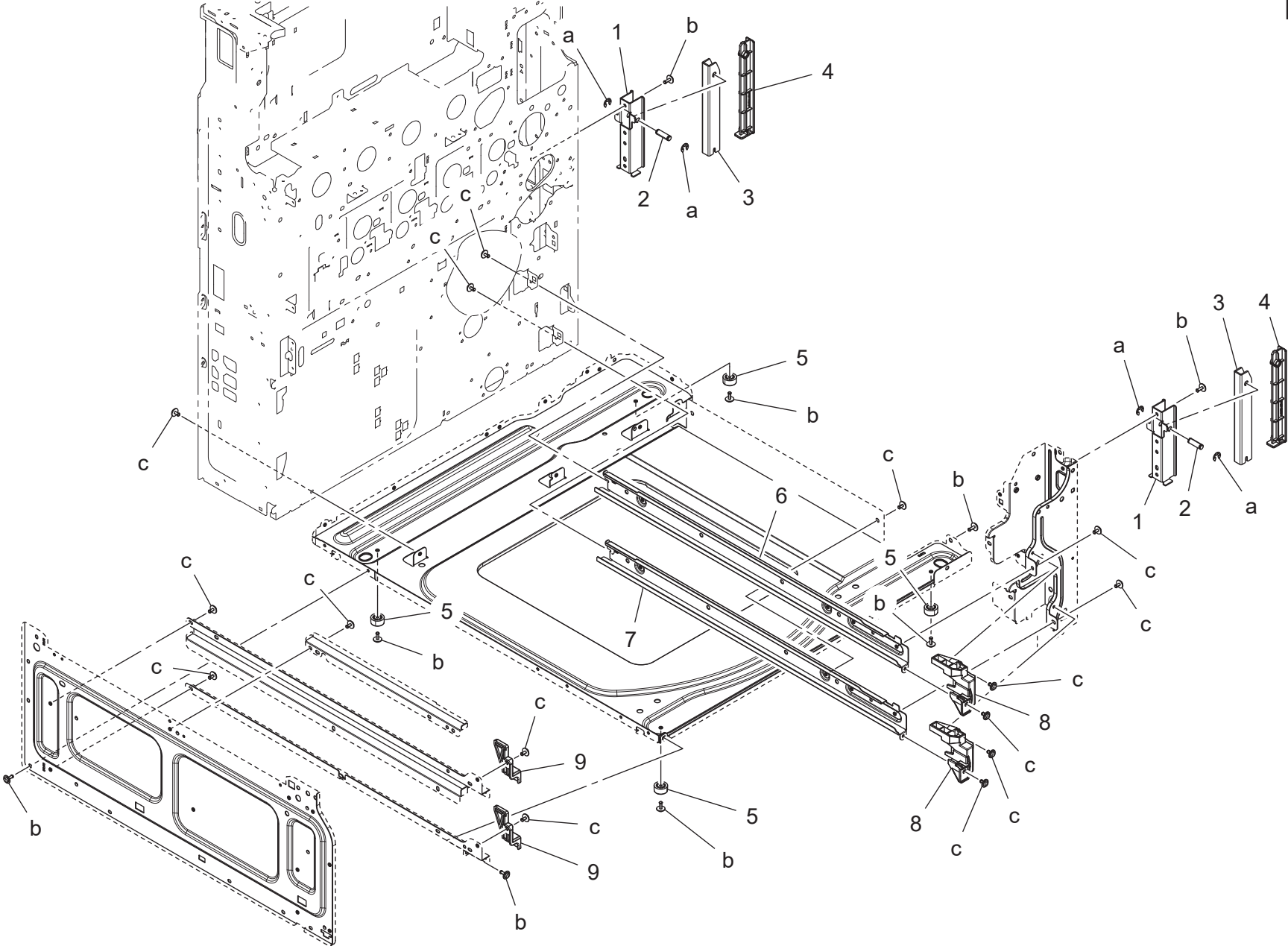
改訂版 REVISED EDITION	日付 DATE
	JANUARY 2018



2ND PAPER FEED SECTION

Key	Part No.	Description	Destinations	Class	QTY	Standard parts
1	A7AH564112	Release Lever		C	1	a-V144030803 b-V217040001
2	A797564400	Pulling Coil spring		C	1	
3	A02E815200	BUSHING		C	1	
4	A797563900	Frame		D	1	
5	A7AH560800	Actuator		C	1	
6	A797560701	Torsion Coil spring		C	1	
7	A7AH561300	Compressing Coil spring		C	1	
8	A5C1M50100	Photointerrupter		B	1	
9	56AA40490	SHAFT STOPPER 4		C	2	
10	A00J563600	Roller		A	1	
11	A0ED563900	Torque limiter		C	1	
12	A7AH565000	Support Shaft		D	1	
13	A7AH563101	Holder		D	1	
14	A797569100	Guide		D	1	

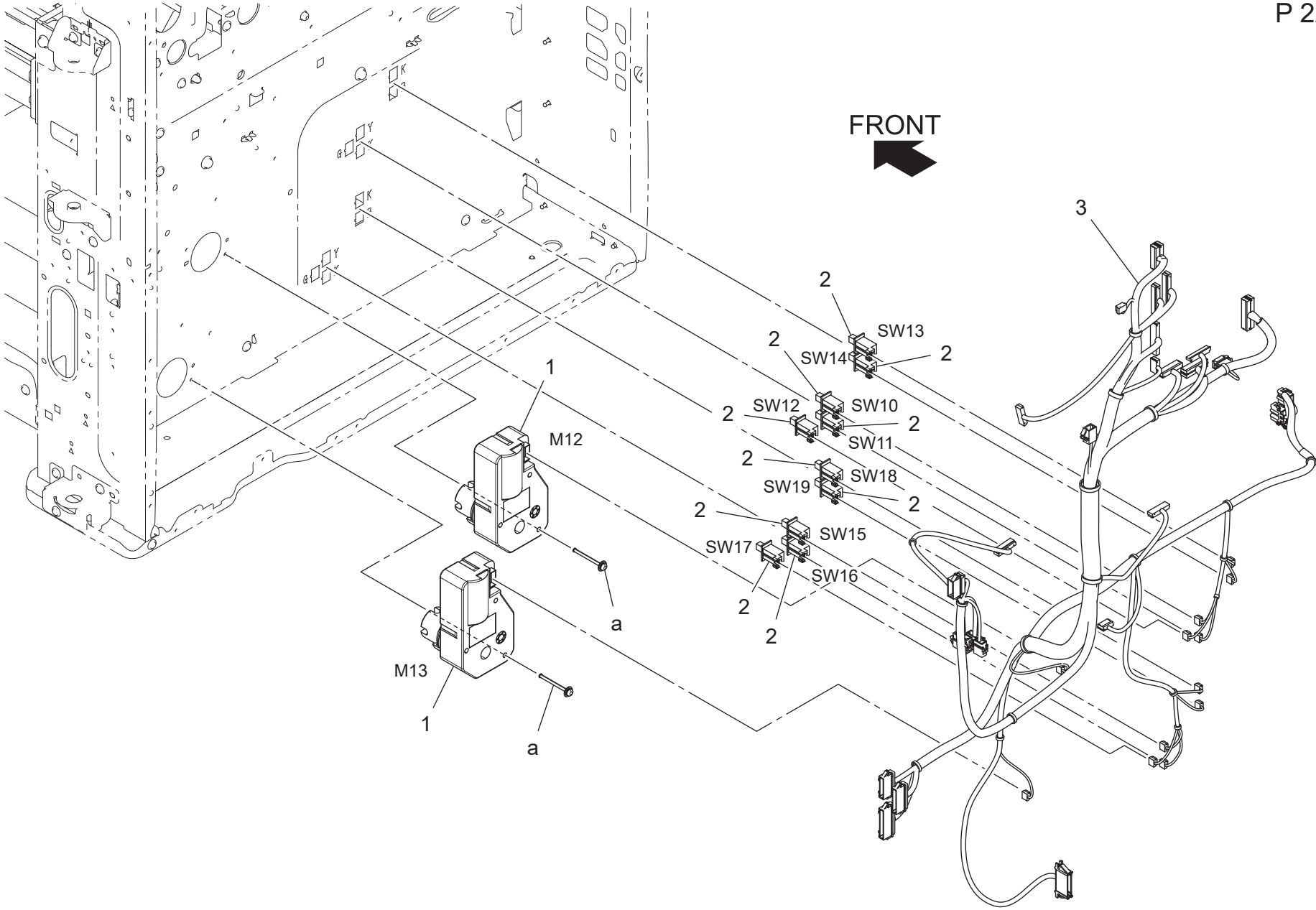
CASSETTE RAIL SECTION



CASSETTE RAIL SECTION

Key	Part No.	Description	Destinations	Class	QTY	Standard parts
1	A797101600	Mounting Plate		D	2	a-V217040001 b-V144030803 c-V144030603
2	A797101900	Shaft		D	2	
3	A797101700	Lever		D	2	
4	A797101800	Cover		D	2	
5	0996305501	RUBBER FOOT		C	4	
6	A797102901	Rail		D	1	
7	A797103001	Rail		D	1	
8	A7AH120102	Stopper		C	2	
9	A7AH121301	Stopper		C	2	

PAPER SIZE DETECTION SECTION

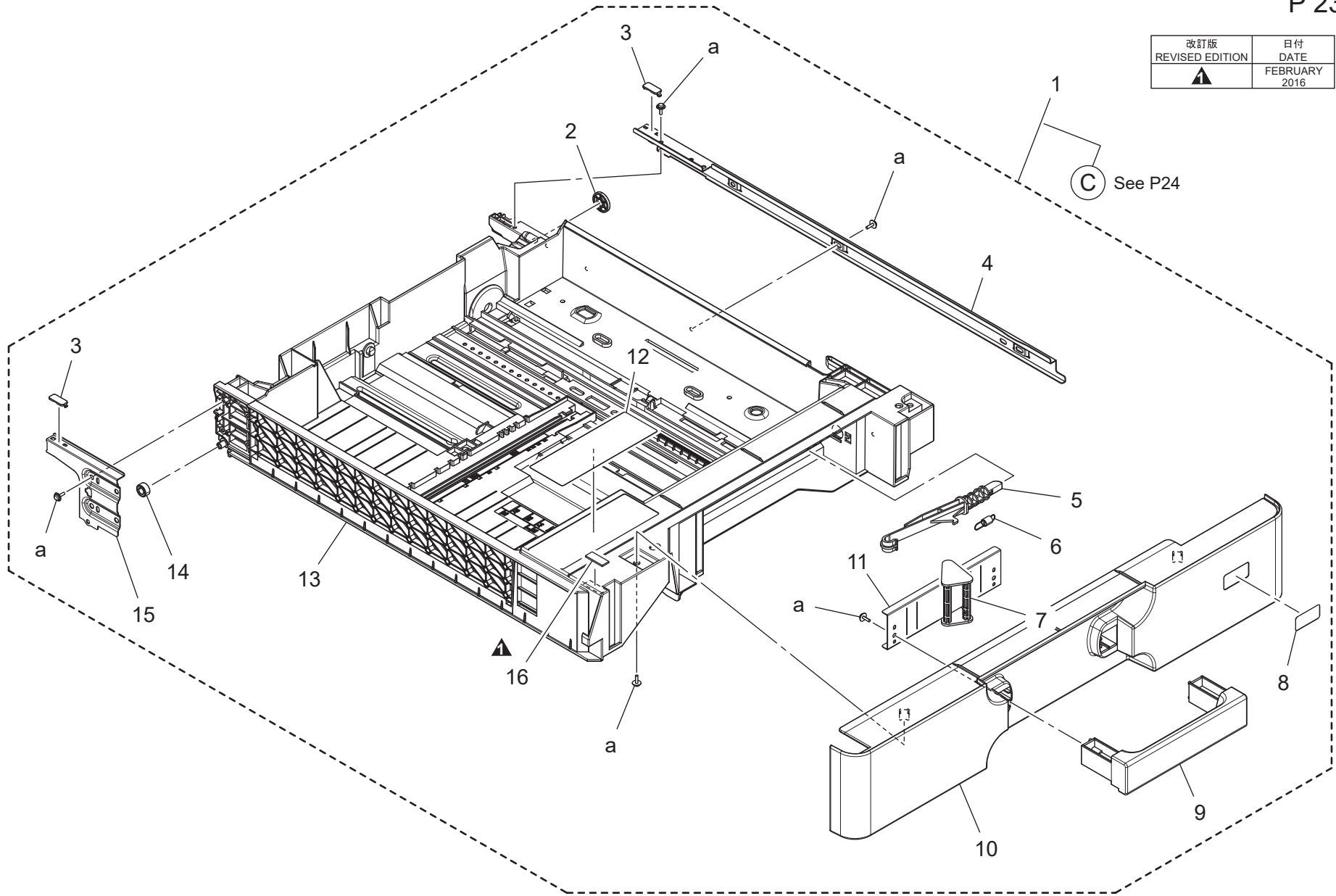


PAPER SIZE DETECTION SECTION

Key	Part No.	Description		Destinations	Class	QTY	Standard parts
1	9J06M10300	MOTOR	マグネットモータ		B	2	a-V116033003
2	A797M60100	Switch	スイッチ		C	10	
3	A797N10A01	Main body Wiring /1	本体束線 / 1		D	1	

1ST CASSETTE SECTION

改訂版 REVISED EDITION	日付 DATE
▲	FEBRUARY 2016



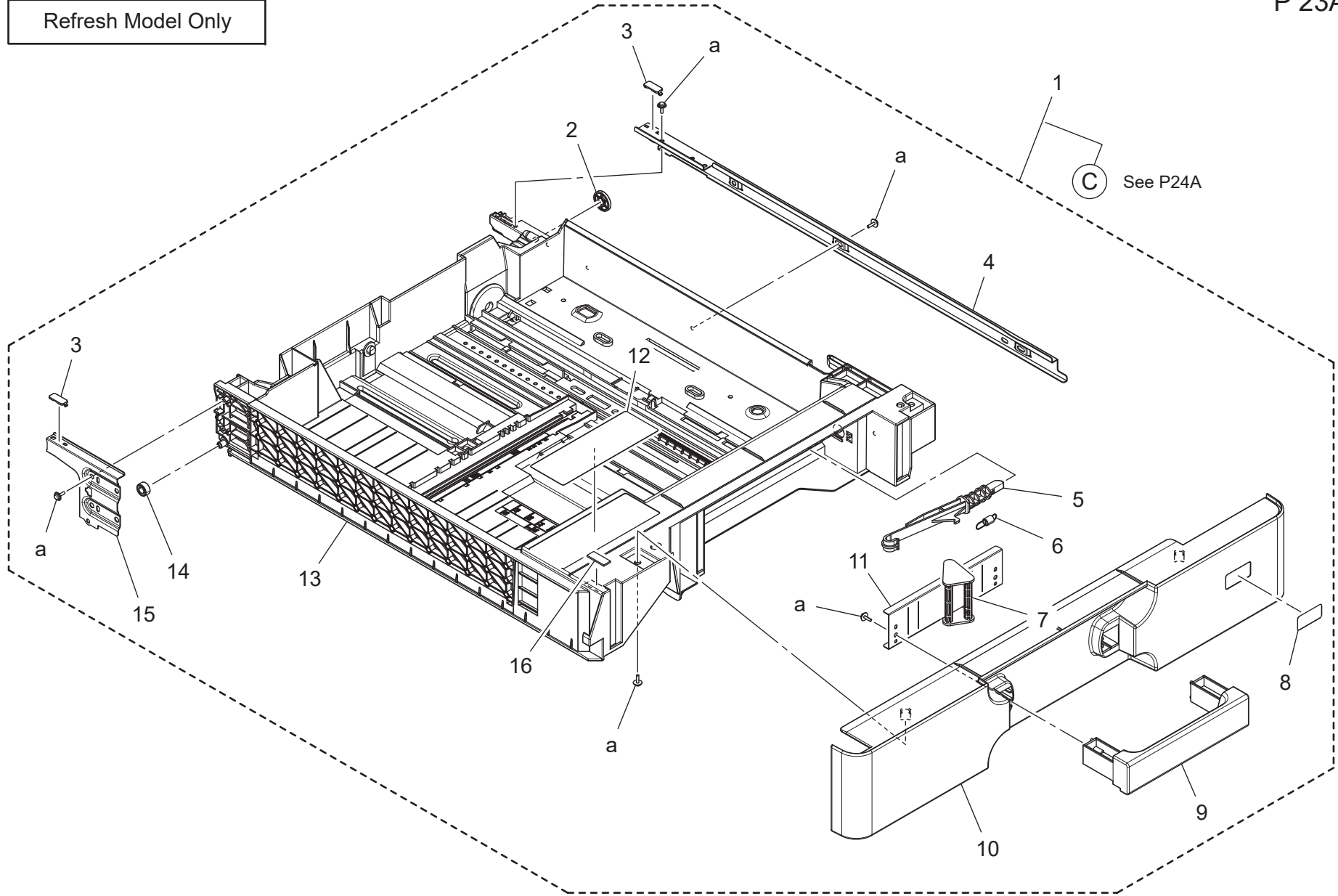
1ST CASSETTE SECTION

Key	Part No.	Description	Destinations	Class	QTY	Standard parts
1	A797R72022	1st Cassette Assy		S	1	a-V153030803
2	A7AH629901	Roll		C	1	
3	A7AH622901	Slide Part		D	2	
4	A7AH623400	Rail		D	1	
5	A7AH624100	Lever		C	1	
6	A161626800	Pulling Coil spring		C	1	
7	A161626602	Lever		C	1	
8	A7AH941100	Label 1		C	1	
9	A7AH626901	Handle		C	1	
10	A7AH625101	Cover /Upper		C	1	
11	A7AH624300	Holder		D	1	
12	A797941000	Label		C	1	
13	A797620100	Paper feed Cassette		D	1	
14	A161623400	Roll		D	1	
15	A7AH623201	Rail /Left		D	1	
16	A797625300	Adjusting Plate		D	1	

1ST CASSETTE SECTION

Refresh Model Only

P 23A

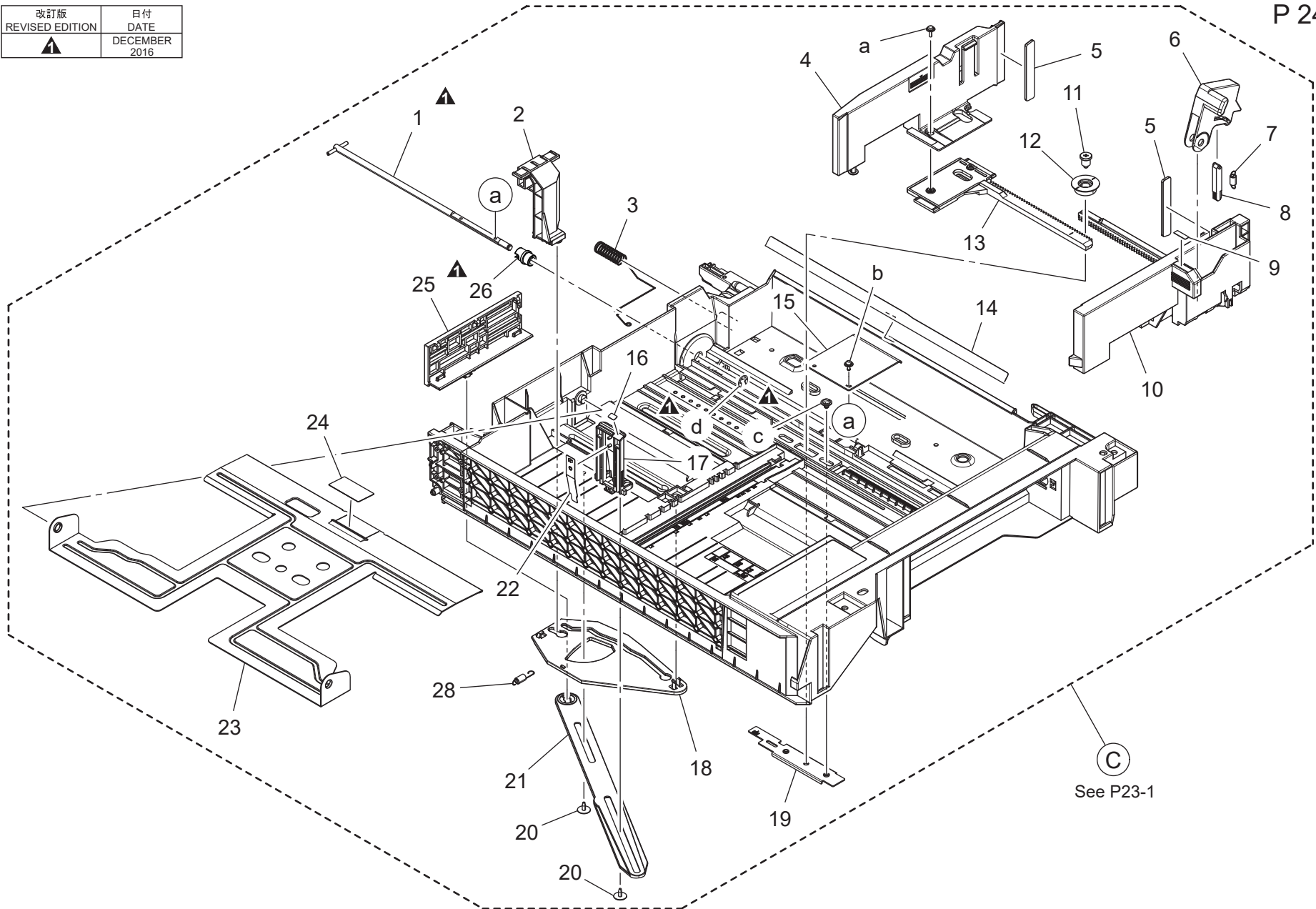


1ST CASSETTE SECTION

Key	Part No.	Description	Destinations	Class	QTY	Standard parts
1	A797R73200	1st Cassette Assy	(Refresh Model)	S	1	a-V153030803
2	A7AH629901	Roll	(Refresh Model)	C	1	
3	A7AH622901	Slide Part	(Refresh Model)	D	2	
4	A7AH623400	Rail	(Refresh Model)	D	1	
5	A7AH624100	Lever	(Refresh Model)	C	1	
6	A161626800	Pulling Coil spring	(Refresh Model)	C	1	
7	A161626602	Lever	(Refresh Model)	C	1	
8	A7AH941100	Label 1	(Refresh Model)	C	1	
9	A7AH626901	Handle	(Refresh Model)	C	1	
10	A7AH625101	Cover /Upper	(Refresh Model)	C	1	
11	A7AH624300	Holder	(Refresh Model)	D	1	
12	A797941000	Label	(Refresh Model)	C	1	
13	A7AH620200	CASSETTE : 1st : PAPER FEED	(Refresh Model)	D	1	
14	A161623400	Roll	(Refresh Model)	D	1	
15	A7AH623201	Rail /Left	(Refresh Model)	D	1	
16	A797625300	Adjusting Plate	(Refresh Model)	D	1	

1ST CASSETTE SECTION

改訂版 REVISED EDITION	日付 DATE
▲	DECEMBER 2016



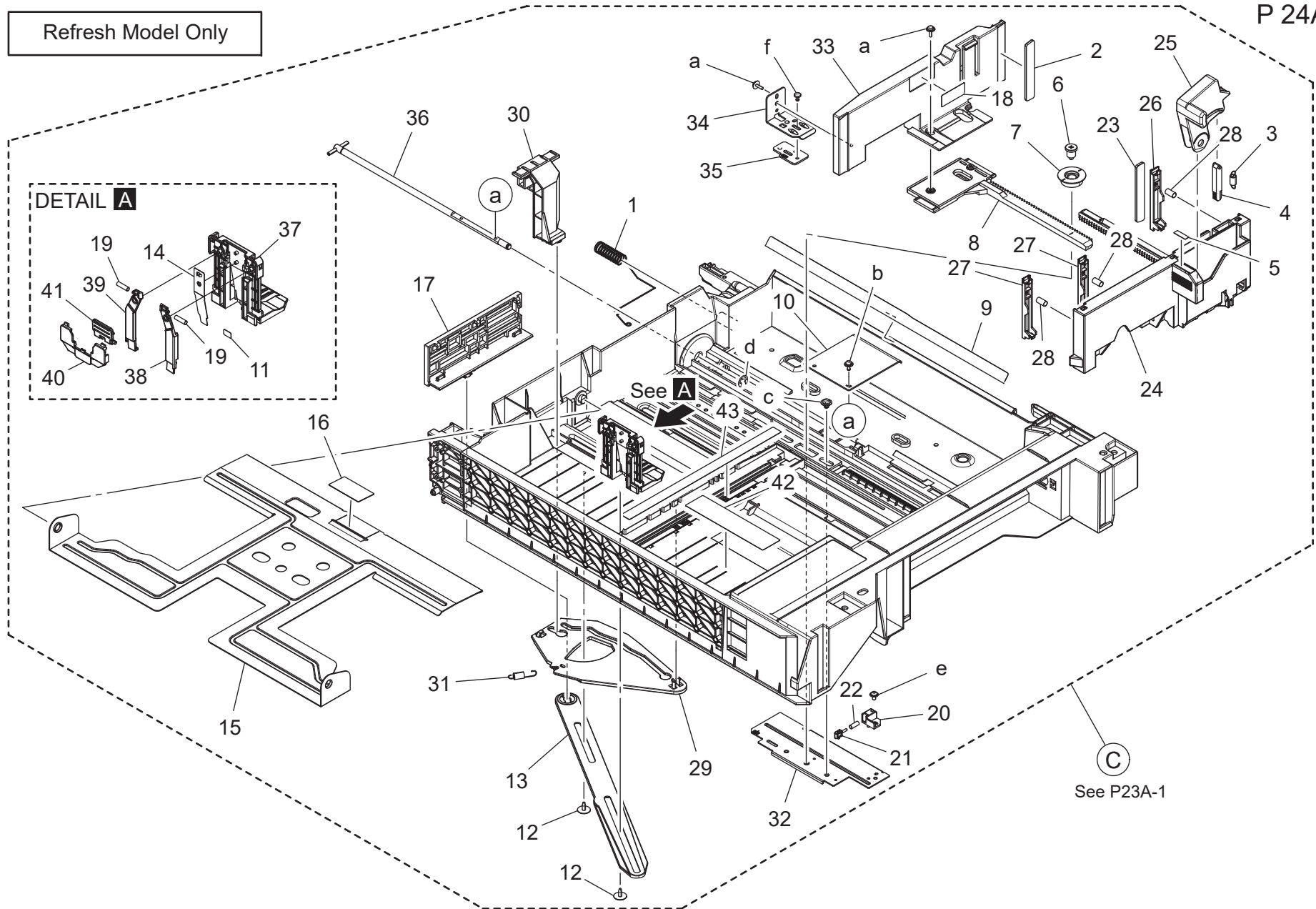
1ST CASSETTE SECTION

Key	Part No.	Description	Destinations	Class	QTY	Standard parts
1	A7AH621601Old	Lifting Shaft		D	1	a-V153030803 b-V125030803 c-V127040603 d-V217040001
1	A7AH621612	Lifting Shaft		D	1	
2	A797623600	Lever /2		D	1	
3	A7AH622100	Ground Spring		C	1	
4	A797620900	Regulating Plate /Rear		C	1	
5	A161624100	Cushion		C	2	
6	A7AH621300	Operation Lever		C	1	
7	A7AH621000	Pulling Coil spring		C	1	
8	A7AH621200	Lock Lever		D	1	
9	A161943000	Label		C	1	
10	A7AH620801	Regulating Plate		C	1	
11	A7AH628200	Shoulder screw		C	1	
12	A161620701	Gear		D	1	
13	A7AH622401	Regulating Plate /Rear		C	1	
14	A7AH629600	Guide		C	1	
15	4030320601	LEVER		D	1	
16	A7AH941300	Label Position		C	1	
17	A7AH621701	Regulating Plate		D	1	
18	A797623500	Lever		D	1	
19	A797620602	Adjusting Plate		D	1	
20	4163529301	SCREW		C	2	
21	A7AH621401	Lever		D	1	
22	A7AH621801	Plate spring		D	1	
23	A7AH620400	Lifting Plate		D	1	
24	A7AH627000	Separating Sheet		C	1	
25	A7AH622201	Detecting Plate		D	1	
26	A7AH621502	Bushing		C	1	
28	A797623700	Pulling Coil spring /3		C	1	

1ST CASSETTE SECTION

P 24A

Refresh Model Only

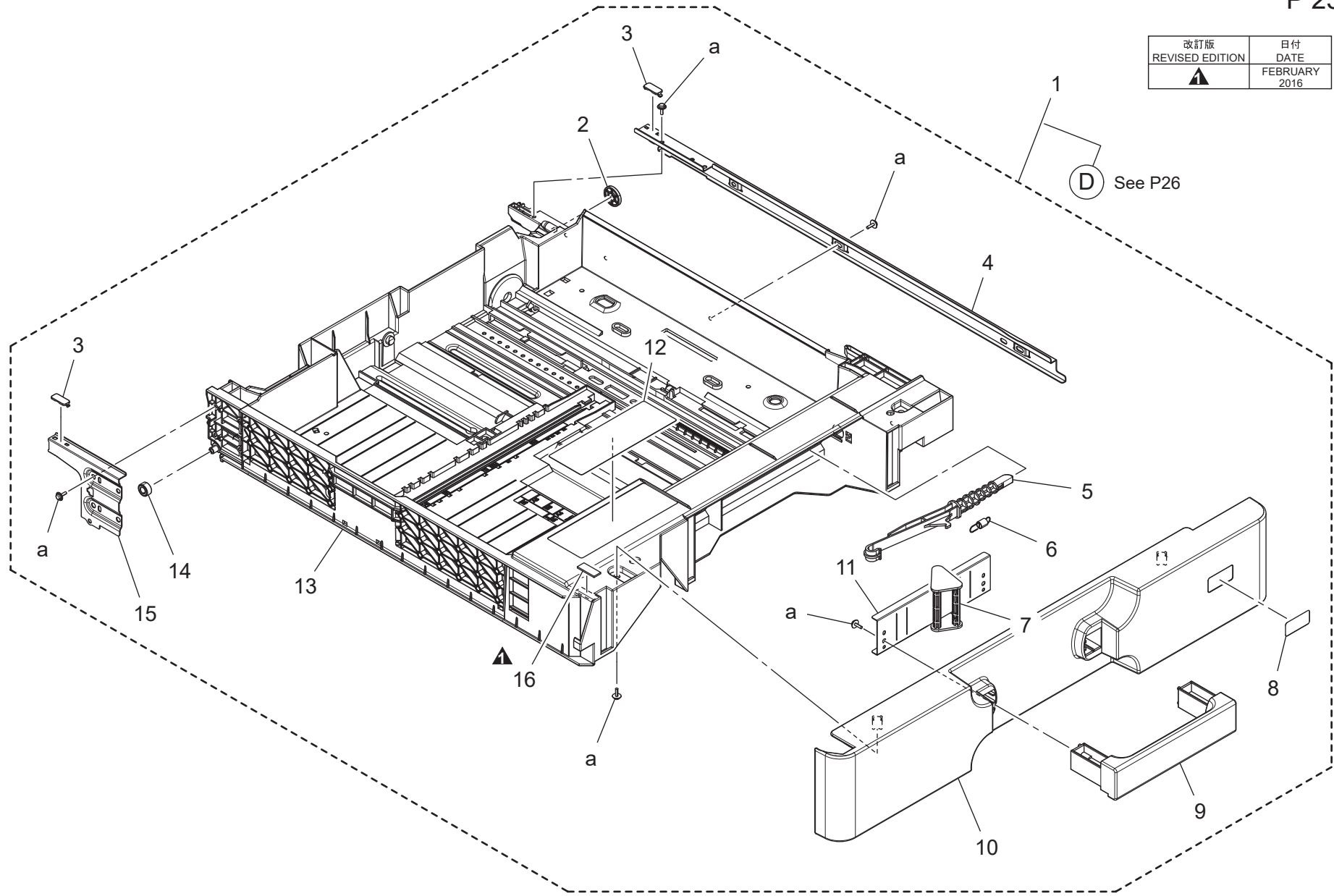


1ST CASSETTE SECTION

Key	Part No.	Description	Destinations	Class	QTY	Standard parts
1	A7AH622100	Ground Spring	(Refresh Model)	C	1	a-V153030803 b-V125030803 c-V127040603 d-V217040001 e-V127030604 f-V143030603
2	A161624100	Cushion	(Refresh Model)	C	1	
3	A7AH621000	Pulling Coil spring	(Refresh Model)	C	1	
4	A7AH621200	Lock Lever	(Refresh Model)	D	1	
5	A161943000	Label	(Refresh Model)	C	1	
6	A7AH628200	Shoulder screw	(Refresh Model)	C	1	
7	A161620701	Gear	(Refresh Model)	D	1	
8	A7AH622401	Regulating Plate /Rear	(Refresh Model)	C	1	
9	A7AH629600	Guide	(Refresh Model)	C	1	
10	4030320601	LEVER	(Refresh Model)	D	1	
11	A7AH941300	Label Position	(Refresh Model)	C	1	
12	4163529301	SCREW	(Refresh Model)	C	2	
13	A7AH621401	Lever	(Refresh Model)	D	1	
14	A7AH621801	Plate spring	(Refresh Model)	D	1	
15	A7AH620400	Lifting Plate	(Refresh Model)	D	1	
16	A7AH627000	Separating Sheet	(Refresh Model)	C	1	
17	A7AH622201	Detecting Plate	(Refresh Model)	D	1	
18	A161943700	Label Max Level	(Refresh Model)	C	1	
19	A795565500	Compressing Spring	(Refresh Model)	C	2	
20	A795565700	Holder	(Refresh Model)	C	1	
21	A795565800	Lever	(Refresh Model)	C	1	
22	A795565900	Compressing Spring	(Refresh Model)	C	1	
23	A795566000	Cushion	(Refresh Model)	C	1	
24	A795620800	Regulating Plate	(Refresh Model)	C	1	
25	A795621301	Operation Lever	(Refresh Model)	C	1	
26	A795622500	Auxiliary Guide /1	(Refresh Model)	C	1	
27	A795622600	Auxiliary Guide /2	(Refresh Model)	C	2	
28	A795622700	Compressing Spring	(Refresh Model)	C	3	
29	A7AH624500	LEVER : PAPER SIZE : CD dir : CASSE TTE	(Refresh Model)	D	1	
30	A7AH623602	Lever	(Refresh Model)	D	1	
31	A7AH623700	Pulling Coil spring	(Refresh Model)	C	1	
32	A7AH620500	ADJUSTING PLATE : SIDE FENCE : CASS ETTE	(Refresh Model)	D	1	
33	A7AH620913	Regulating Plate /Rear	(Refresh Model)	C	1	
34	A7AH622600	Mounting Plate	(Refresh Model)	D	1	
35	A7AH622700	Adjusting Plate	(Refresh Model)	D	1	
36	A7AH624600	SHAFT :LIFTING :BOTTOM PLATE :ASSY	(Refresh Model)	D	1	
37	A7AH635000	BASE : END FENCE : CASSETTE	(Refresh Model)	D	1	
38	A7AH635100	STOPPER : END FENCE : FRONT	(Refresh Model)	D	1	
39	A7AH635200	STOPPER : END FENCE : REAR	(Refresh Model)	D	1	
40	A7AH635300	COVER : END FENCE : CASSETTE	(Refresh Model)	D	1	
41	A7AH635400	LEVER : END FENCE : CASSETTE	(Refresh Model)	D	1	
42	A7AH943400	Label	(Refresh Model)	C	1	
43	A7AH943500	Label	(Refresh Model)	C	1	

2ND CASSETTE SECTION

改訂版 REVISED EDITION	日付 DATE
▲	FEBRUARY 2016



(D) See P26

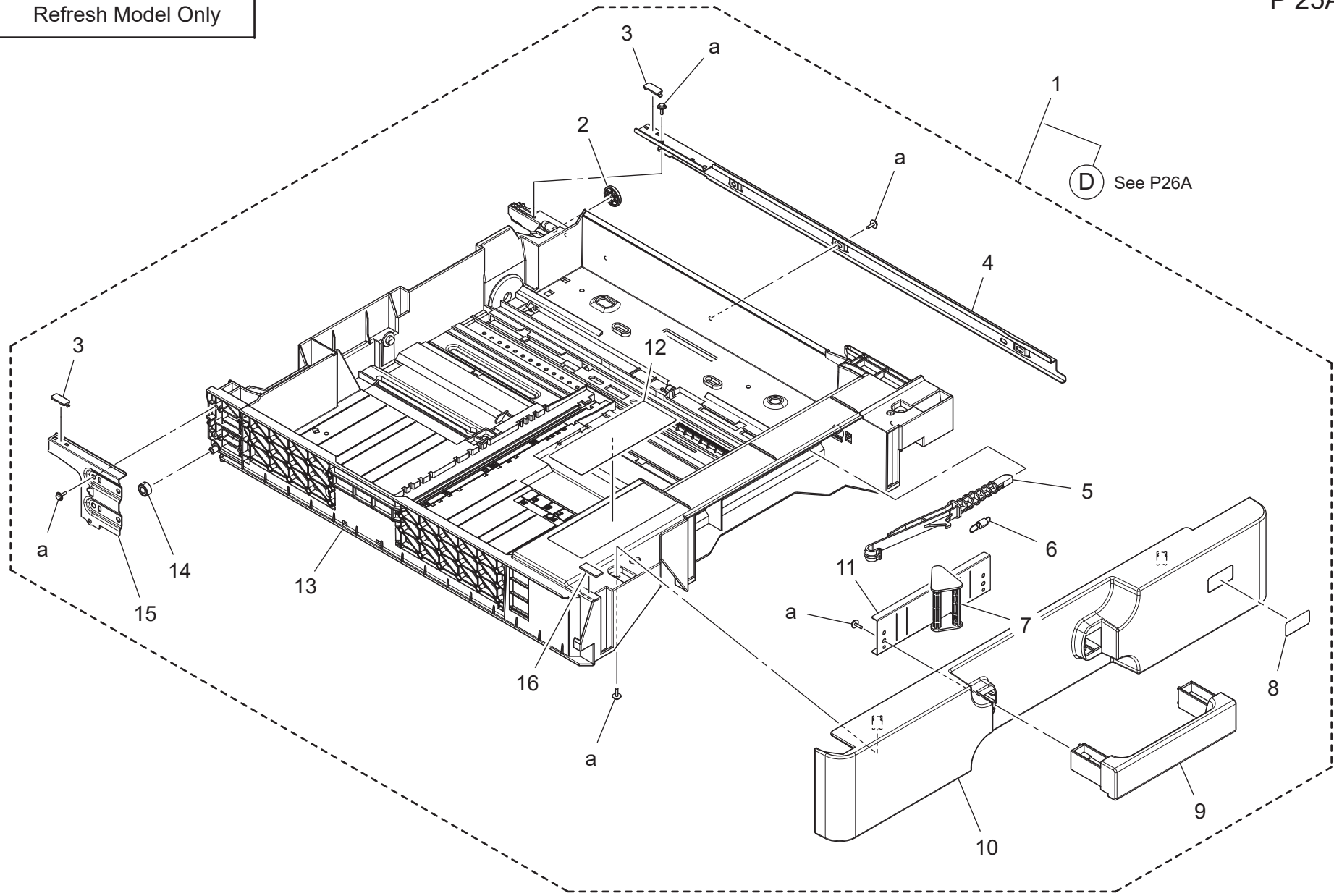
2ND CASSETTE SECTION

Key	Part No.	Description	Destinations	Class	QTY	Standard parts
1	A797R72122	2nd Cassette Assy		S	1	a-V153030803
2	A7AH629901	Roll		C	1	
3	A7AH622901	Slide Part		D	2	
4	A7AH623400	Rail		D	1	
5	A7AH624200	Lever		C	1	
6	A161626800	Pulling Coil spring		C	1	
7	A161626602	Lever		C	1	
8	A7AH941200	Label 2		C	1	
9	A7AH626901	Handle		C	1	
10	A7AH625200	Cover /Lower		C	1	
11	A7AH624300	Holder		D	1	
12	A797941000	Label		C	1	
13	A797630100	Paper feed Cassette		D	1	
14	A161623400	Roll		D	1	
15	A7AH623201	Rail /Left		D	1	
16	A797625300	Adjusting Plate		D	1	

2ND CASSETTE SECTION

P 25A


Refresh Model Only

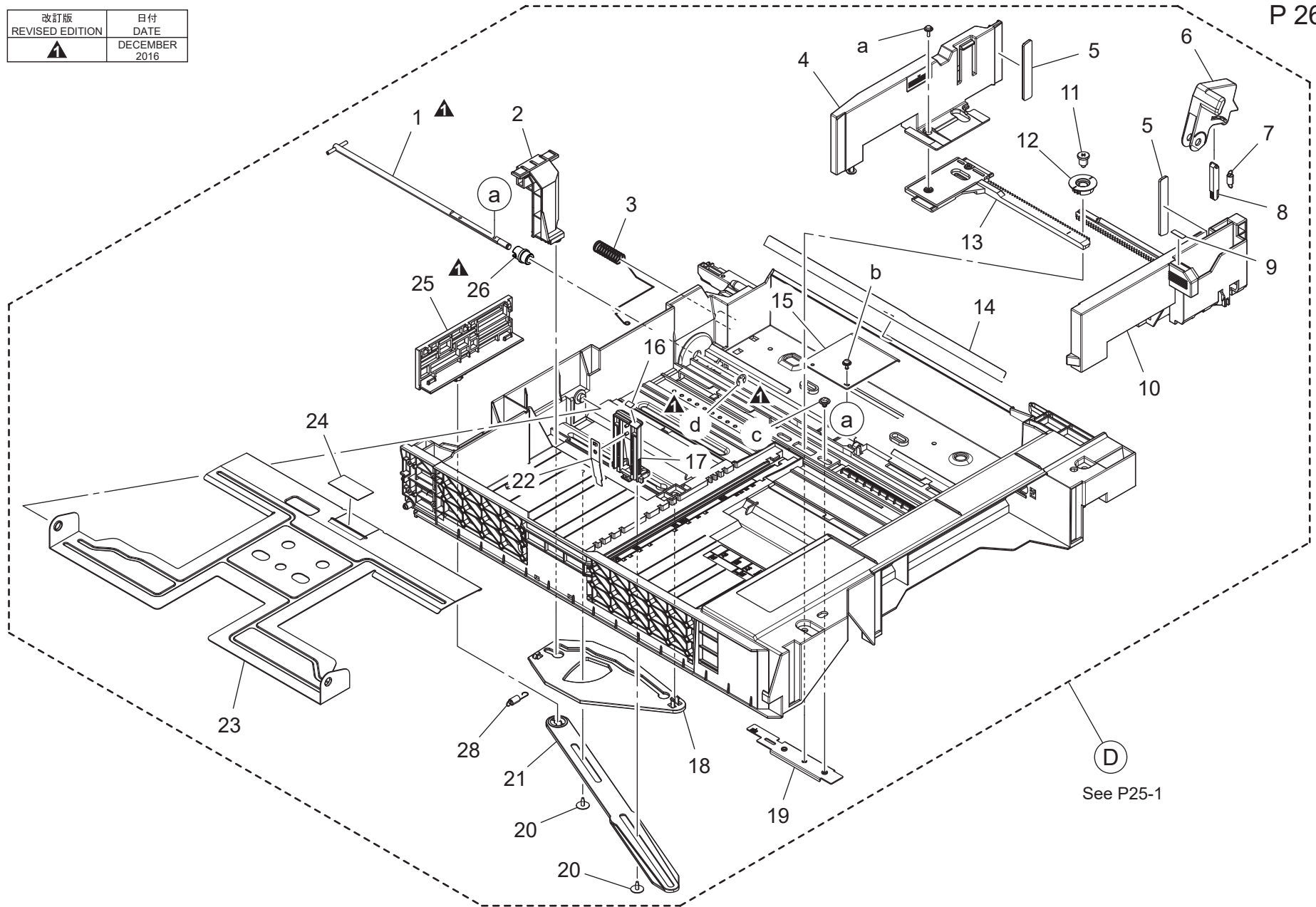


2ND CASSETTE SECTION

Key	Part No.	Description	Destinations	Class	QTY	Standard parts
1	A797R73300	2nd Cassette Assy	(Refresh Model)	S	1	a-V153030803
2	A7AH629901	Roll	(Refresh Model)	C	1	
3	A7AH622901	Slide Part	(Refresh Model)	D	2	
4	A7AH623400	Rail	(Refresh Model)	D	1	
5	A7AH624200	Lever	(Refresh Model)	C	1	
6	A161626800	Pulling Coil spring	(Refresh Model)	C	1	
7	A161626602	Lever	(Refresh Model)	C	1	
8	A7AH941200	Label 2	(Refresh Model)	C	1	
9	A7AH626901	Handle	(Refresh Model)	C	1	
10	A7AH625200	Cover /Lower	(Refresh Model)	C	1	
11	A7AH624300	Holder	(Refresh Model)	D	1	
12	A797941000	Label	(Refresh Model)	C	1	
13	A7AH630200	CASSETTE : 2nd : PAPER FEED	(Refresh Model)	D	1	
14	A161623400	Roll	(Refresh Model)	D	1	
15	A7AH623201	Rail /Left	(Refresh Model)	D	1	
16	A797625300	Adjusting Plate	(Refresh Model)	D	1	

2ND CASSETTE SECTION

改訂版 REVISED EDITION	日付 DATE
	DECEMBER 2016



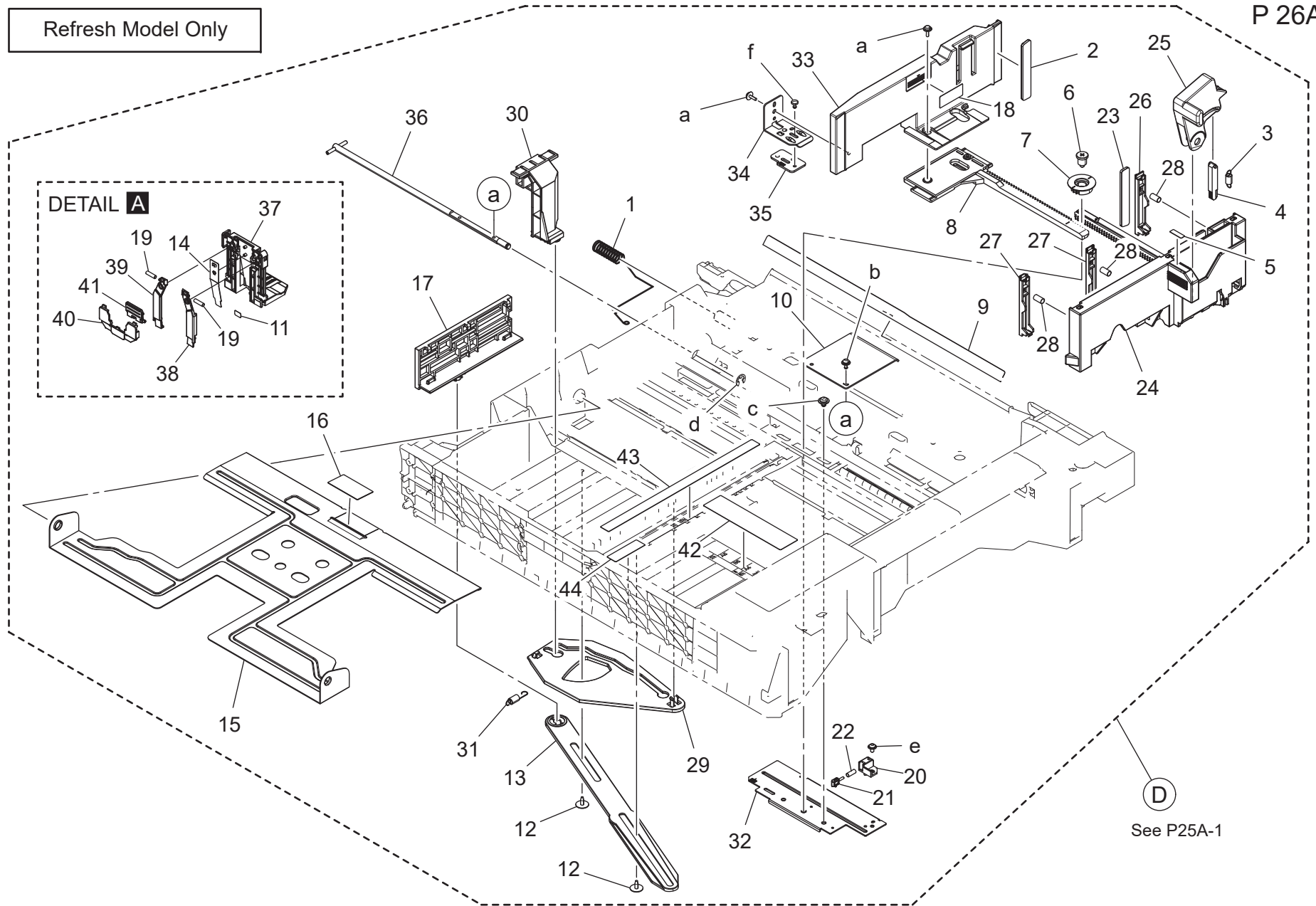
2ND CASSETTE SECTION

Key	Part No.	Description	Destinations	Class	QTY	Standard parts
1	A7AH621601Old	Lifting Shaft		D	1	a-V153030803 b-V125030803 c-V127040603 d-V217040001
1	A7AH621612	Lifting Shaft		D	1	
2	A797623600	Lever /2		D	1	
3	A7AH622100	Ground Spring		C	1	
4	A797620900	Regulating Plate /Rear		C	1	
5	A161624100	Cushion		C	2	
6	A7AH621300	Operation Lever		C	1	
7	A7AH621000	Pulling Coil spring		C	1	
8	A7AH621200	Lock Lever		D	1	
9	A161943000	Label		C	1	
10	A7AH620801	Regulating Plate		C	1	
11	A7AH628200	Shoulder screw		C	1	
12	A161620701	Gear		D	1	
13	A7AH622401	Regulating Plate /Rear		C	1	
14	A7AH629600	Guide		C	1	
15	4030320601	LEVER		D	1	
16	A7AH941300	Label Position		C	1	
17	A7AH621701	Regulating Plate		D	1	
18	A797623500	Lever		D	1	
19	A797620602	Adjusting Plate		D	1	
20	4163529301	SCREW		C	2	
21	A7AH621401	Lever		D	1	
22	A7AH621801	Plate spring		D	1	
23	A7AH620400	Lifting Plate		D	1	
24	A7AH627000	Separating Sheet		C	1	
25	A7AH622201	Detecting Plate		D	1	
26	A7AH621502	Bushing		C	1	
28	A797623700	Pulling Coil spring /3		C	1	

2ND CASSETTE SECTION

Refresh Model Only

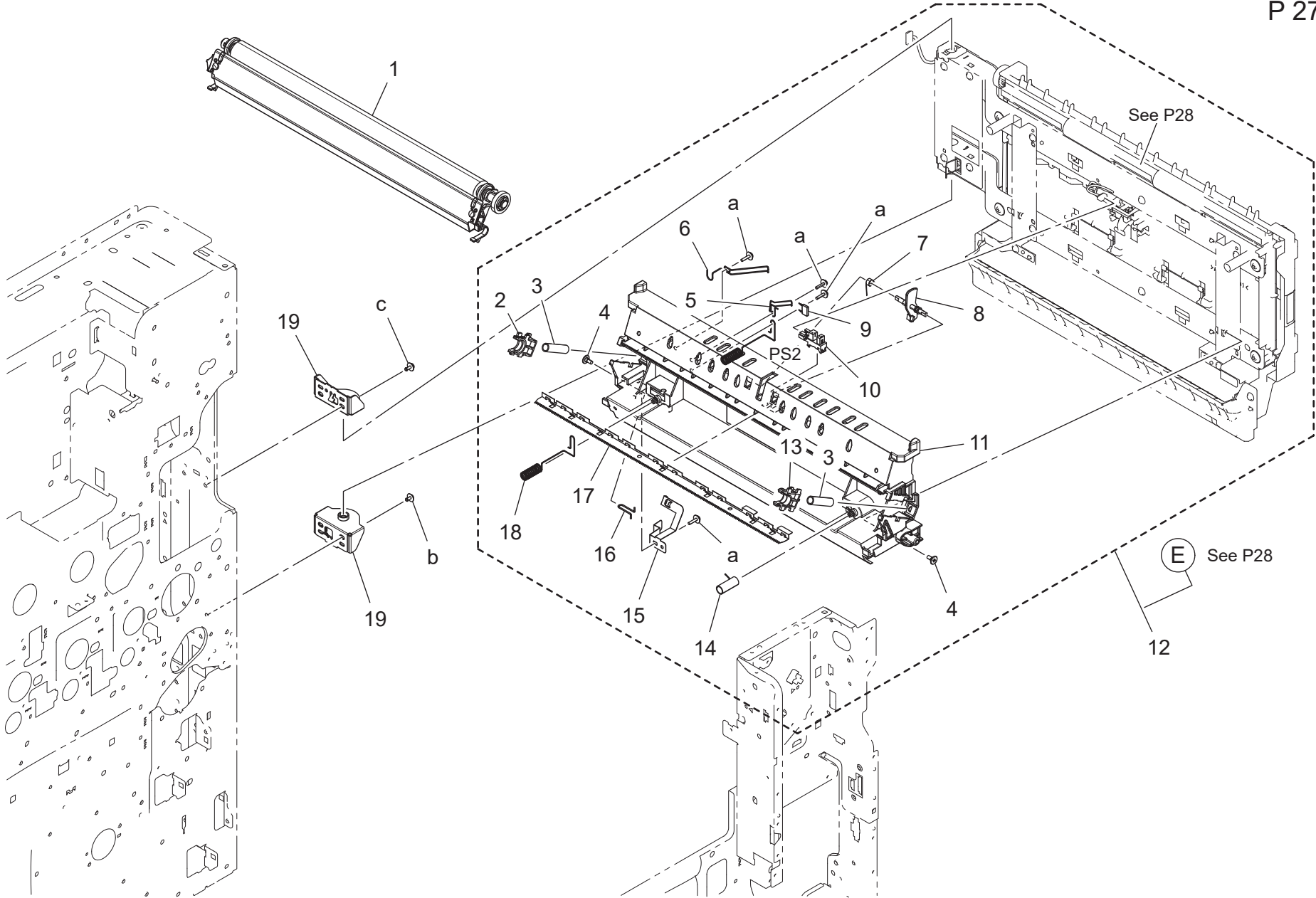
P 26A



2ND CASSETTE SECTION

Key	Part No.	Description	Destinations	Class	QTY	Standard parts
1	A7AH622100	Ground Spring	(Refresh Model)	C	1	a-V153030803 b-V125030803 c-V127040603 d-V217040001 e-V127030604 f-V143030603
2	A161624100	Cushion	(Refresh Model)	C	1	
3	A7AH621000	Pulling Coil spring	(Refresh Model)	C	1	
4	A7AH621200	Lock Lever	(Refresh Model)	D	1	
5	A161943000	Label	(Refresh Model)	C	1	
6	A7AH628200	Shoulder screw	(Refresh Model)	C	1	
7	A161620701	Gear	(Refresh Model)	D	1	
8	A7AH622401	Regulating Plate /Rear	(Refresh Model)	C	1	
9	A7AH629600	Guide	(Refresh Model)	C	1	
10	4030320601	LEVER	(Refresh Model)	D	1	
11	A7AH941300	Label Position	(Refresh Model)	C	1	
12	4163529301	SCREW	(Refresh Model)	C	2	
13	A7AH621401	Lever	(Refresh Model)	D	1	
14	A7AH621801	Plate spring	(Refresh Model)	D	1	
15	A7AH620400	Lifting Plate	(Refresh Model)	D	1	
16	A7AH627000	Separating Sheet	(Refresh Model)	C	1	
17	A7AH622201	Detecting Plate	(Refresh Model)	D	1	
18	A161943700	Label Max Level	(Refresh Model)	C	1	
19	A795565500	Compressing Spring	(Refresh Model)	C	2	
20	A795565700	Holder	(Refresh Model)	C	1	
21	A795565800	Lever	(Refresh Model)	C	1	
22	A795565900	Compressing Spring	(Refresh Model)	C	1	
23	A795566000	Cushion	(Refresh Model)	C	1	
24	A795620800	Regulating Plate	(Refresh Model)	C	1	
25	A795621301	Operation Lever	(Refresh Model)	C	1	
26	A795622500	Auxiliary Guide /1	(Refresh Model)	C	1	
27	A795622600	Auxiliary Guide /2	(Refresh Model)	C	2	
28	A795622700	Compressing Spring	(Refresh Model)	C	3	
29	A7AH624500	LEVER : PAPER SIZE : CD dir : CASSE TTE	(Refresh Model)	D	1	
30	A7AH623602	Lever	(Refresh Model)	D	1	
31	A7AH623700	Pulling Coil spring	(Refresh Model)	C	1	
32	A7AH620500	ADJUSTING PLATE : SIDE FENCE : CASS ETTE	(Refresh Model)	D	1	
33	A7AH620913	Regulating Plate /Rear	(Refresh Model)	C	1	
34	A7AH622600	Mounting Plate	(Refresh Model)	D	1	
35	A7AH622700	Adjusting Plate	(Refresh Model)	D	1	
36	A7AH624600	SHAFT :LIFTING :BOTTOM PLATE :ASSY	(Refresh Model)	D	1	
37	A7AH635000	BASE : END FENCE : CASSETTE	(Refresh Model)	D	1	
38	A7AH635100	STOPPER : END FENCE : FRONT	(Refresh Model)	D	1	
39	A7AH635200	STOPPER : END FENCE : REAR	(Refresh Model)	D	1	
40	A7AH635300	COVER : END FENCE : CASSETTE	(Refresh Model)	D	1	
41	A7AH635400	LEVER : END FENCE : CASSETTE	(Refresh Model)	D	1	
42	A7AH943400	Label	(Refresh Model)	C	1	
43	A7AH943500	Label	(Refresh Model)	C	1	
44	A7AH943600	Label	(Refresh Model)	C	1	

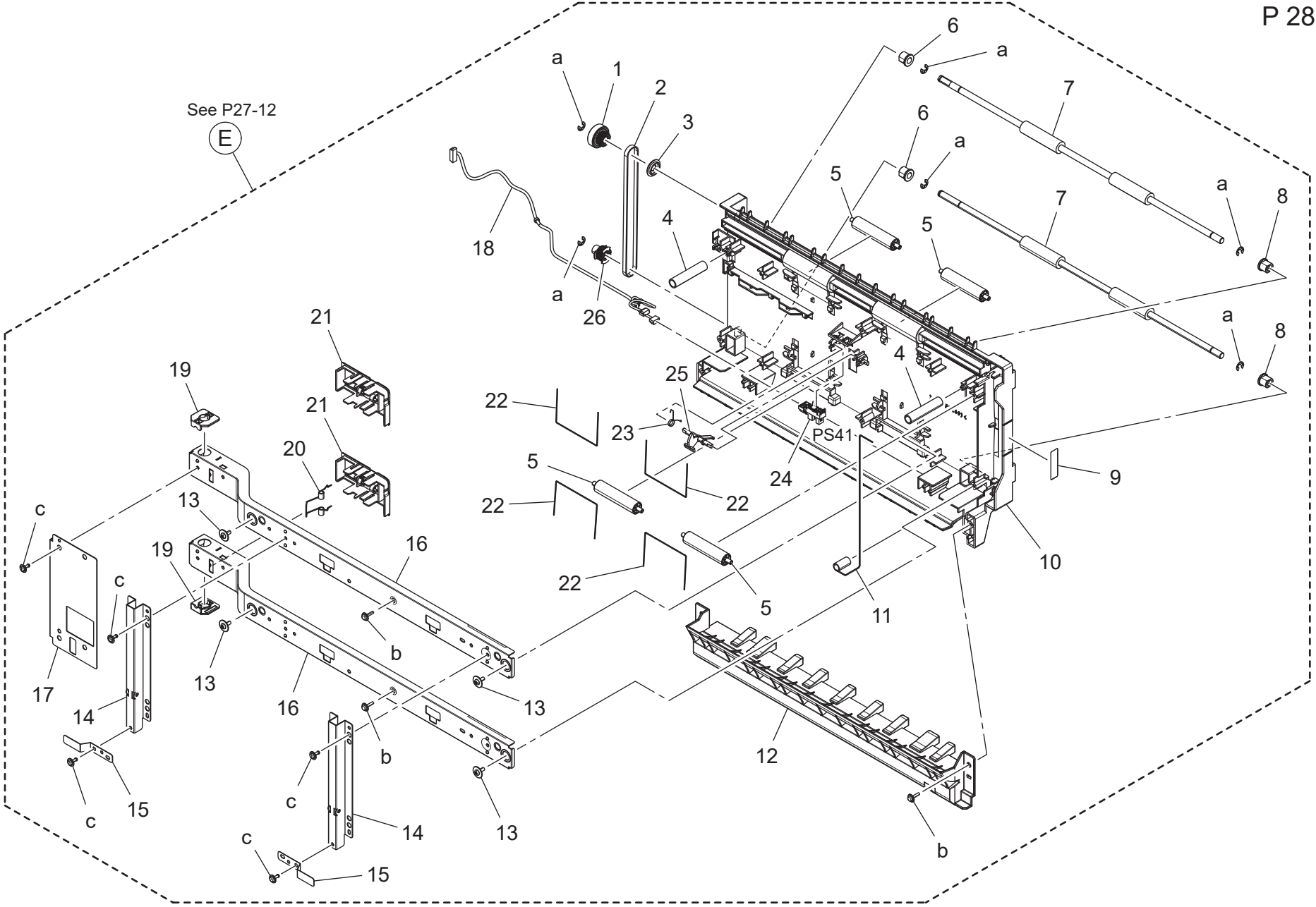
VERTICAL CONVEYANCE SECTION



VERTICAL CONVEYANCE SECTION

Key	Part No.	Description	Destinations	Class	QTY	Standard parts
1	A797R71811	2nd Transfer Roller Assy	2次転写ローラー Assy	A	1	a-V153031004 b-V127030604 c-V125030803
2	A161551500	Transfer Holder /2	転写ホルダ / 2 (後 / Rear)	C	1	
3	A0ED551000	Compressing Coil spring /2	圧縮コイルばね / 2	C	2	
4	4011585202	SHOULDER SCREW	段ねじ	C	2	
5	A5C1711000	Ground Spring /B	アースばね / B	D	1	
6	A797711100	Ground Contact /C	アース接点 / C	C	1	
7	A161712700	Spring /C	ばね / C	D	1	
8	A0ED703800	Actuator	アクチュエータ (ループセンサ)	D	1	
9	V800500300	FIXED POWER RESISTORS	固定抵抗器	D	1	
10	A5C1M50100	Photointerrupter	透過型センサ	B	1	
11	A797710100	Holder /A	ホルダ / A	D	1	
12	A797F71003	Vertical Transport Assy	縦搬送 Assy	S	1	
13	A161550700	Transfer Holder /2	転写ホルダ / 2	C	1	
14	A0ED551100	Compressing Coil spring	圧縮コイルばね (転前)	D	1	
15	A797710900	Ground Plate /A	アース板 / A	D	1	
16	A161712401	Ground Spring /A	アースばね / A	D	1	
17	1164420204	NEUTRALIZING NEEDLE	除電針	D	1	
18	A797712500	Ground Spring /C	アースばね / C	C	1	
19	A797108300	Adjusting Plate	調整板	D	2	

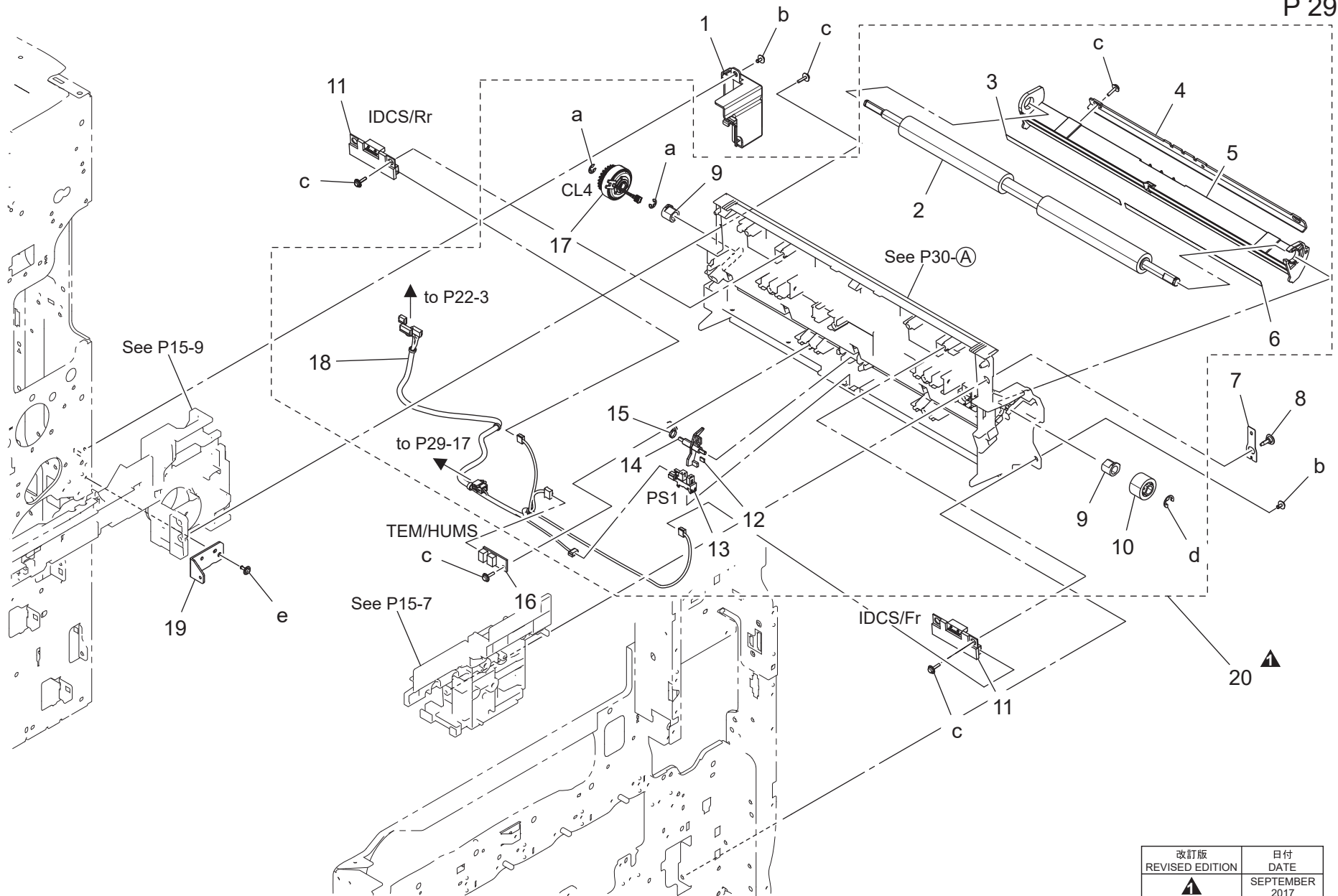
VERTICAL CONVEYANCE SECTION



VERTICAL CONVEYANCE SECTION

Key	Part No.	Description	Destinations	Class	QTY	Standard parts
1	A797709100	Gear 20T		C	1	a-V217040001 b-V153031004 c-V144030803
2	A797719000	Drive Belt /A		C	1	
3	A0ED811900	Collar		D	1	
4	A797711200	Pressing Spring		C	2	
5	A161825700	Idler Roller /A		D	4	
6	A161713100	Bushing /1		D	2	
7	A797710500	Roller /A		C	2	
8	A02E815200	BUSHING		C	2	
9	A797946400	Label M3		C	1	
10	A797710201	Guide Plate /A		D	1	
11	A797712000	Ground Plate /D		D	1	
12	A797710300	Guide Plate /B		D	1	
13	4163529301	SCREW		C	4	
14	A797715400	Mounting Plate /Front		D	2	
15	A797716200	Plate spring		D	2	
16	A797715300	Hold Plate		D	2	
17	A797715800	Mounting Plate		D	1	
18	A797N10K00	Conveyance Wiring /2		D	1	
19	A797716100	Collar		D	2	
20	A797712900	Ground Spring /D		C	1	
21	A797715700	Cover		D	2	
22	A161714600	Conveyance Spring /B		D	4	
23	A02E813100	Torsion spring		D	1	
24	A5C1M50100	Photointerrupter		B	1	
25	A797716000	Actuator		C	1	
26	A797716300	Pulley 22T		C	1	

CONVEYANCE SECTION



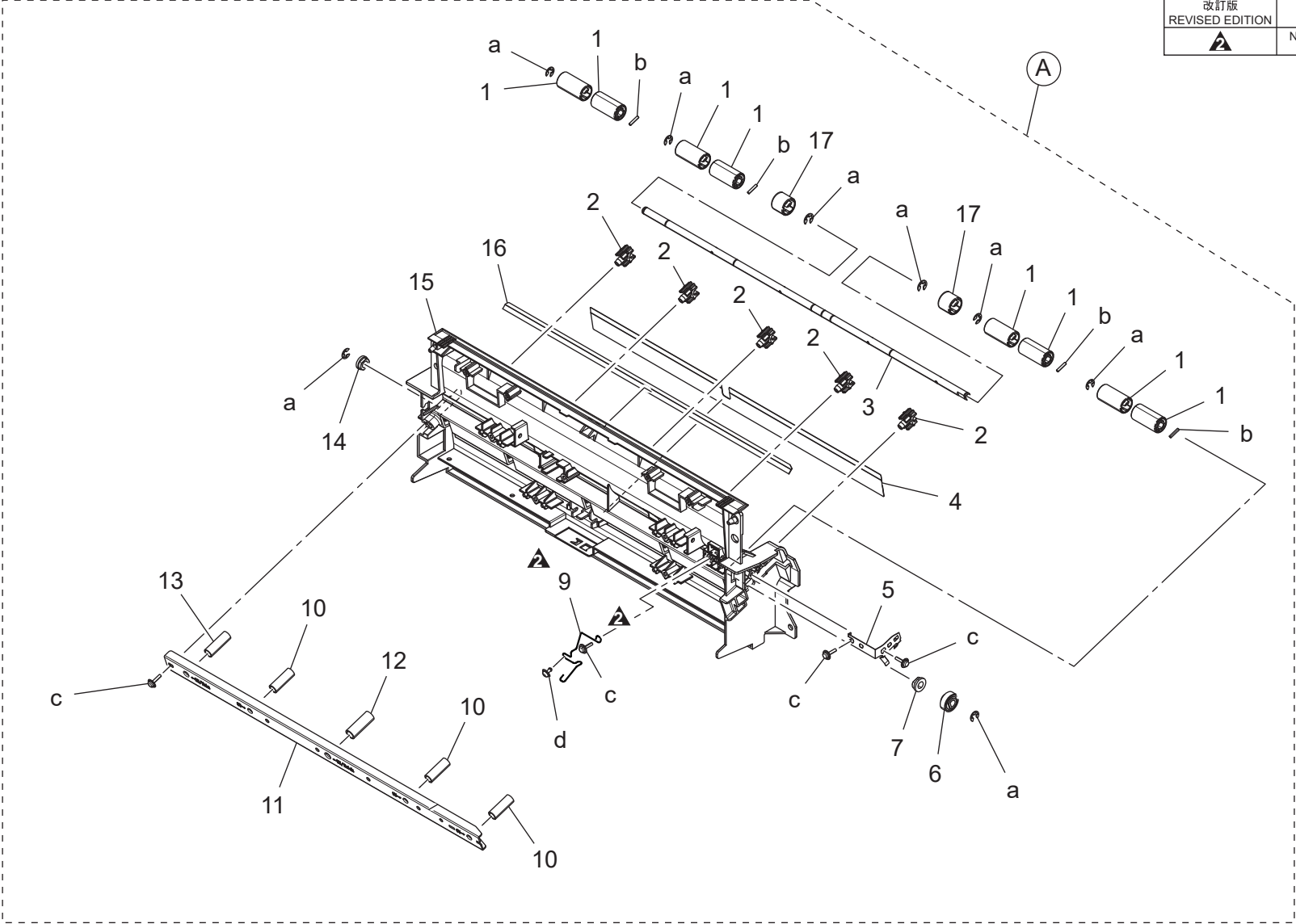
改訂版 REVISED EDITION	日付 DATE
▲	SEPTEMBER 2017

CONVEYANCE SECTION

Key	Part No.	Description	Destinations	Class	QTY	Standard parts
1	A797701200	Cover		D	1	a-V217040001 b-V127030604 c-V153031004 d-V217060001 e-V144030803
2	A797700200	Roller		C	1	
3	4038353701	GUIDE		C	1	
4	A02E712902	Reinforce Plate		D	1	
5	A797700601	Guide Plate /Middle		D	1	
6	A0ED700600	Guide Sheet		D	1	
7	A7PU701100	Plate spring		D	1	
8	A7PU701200	Shoulder screw		C	1	
9	A161702200	Bushing		C	2	
10	A0ED700300	Gear 20T		D	1	
11	A797M50000	Photo sensing		I	2	
12	A161702101	Cushion /C		C	1	
13	A5C1M50100	Photointerrupter		B	1	
14	A797701700	Actuator /T		C	1	
15	A161701100	Spring /A		C	1	
16	A7AHM50400	Humidity sensor		I	1	
17	A7AHM20401	Clutch		C	1	
18	A797N10H01	Conveyance Wiring /1		D	1	
19	A797102400	Mounting Plate		D	1	
20	A797F7000D	Conveyance ASSY		S	1	

CONVEYANCE SECTION

改訂版 REVISED EDITION	日付 DATE
	NOVEMBER 2016



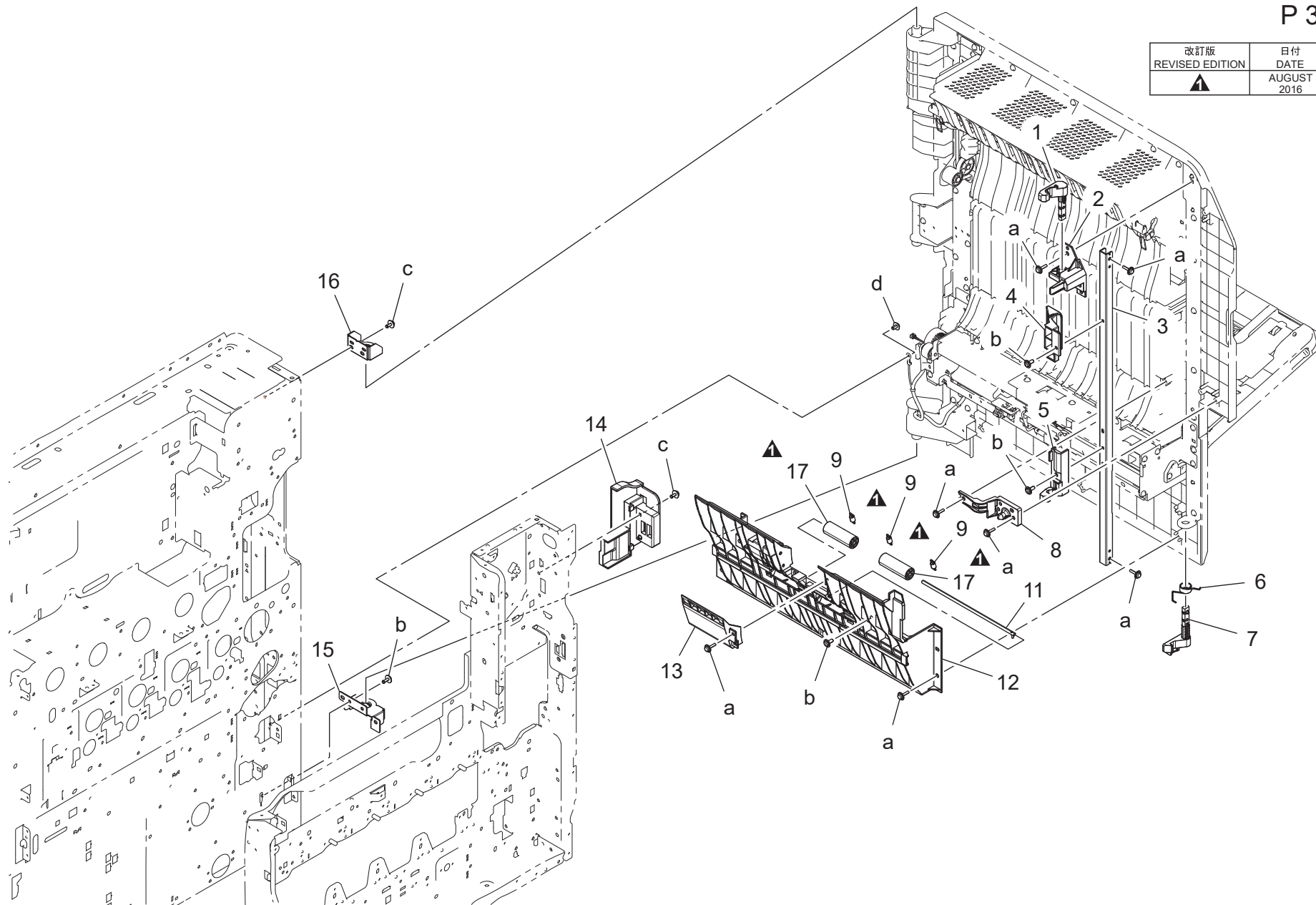
CONVEYANCE SECTION

Key	Part No.	Description	Destinations	Class	QTY	Standard parts
1	A797701000	Roll		C	8	a-V217040001 b-V234201050 c-V153031004 d-V127030604
2	A797702701	Bushing		C	5	
3	A797700502	Shaft		D	1	
4	A5C1701400	Guide Sheet /B		D	1	
5	A797700801	Ground Spring /D		D	1	
6	A797700700	Gear 14T		C	1	
7	A02E596300	Bushing		C	1	
9	A797701601	Torsion Coil spring		D	1	
10	A797702500	Pressing Spring /B		C	3	
11	A797703001	Mounting Plate		D	1	
12	A797702000	Pressing Spring /A		C	1	
13	A797702600	Pressing Spring /C		C	1	
14	A161210200	Bushing		D	1	
15	A797700102	Guide Plate /Inside		D	1	
16	A161701301	Guide Sheet /A		C	1	
17	A797701500	Roll		C	2	

VERTICAL CONVEYANCE DOOR SECTION

P 31


改訂版 REVISED EDITION	日付 DATE
▲	AUGUST 2016

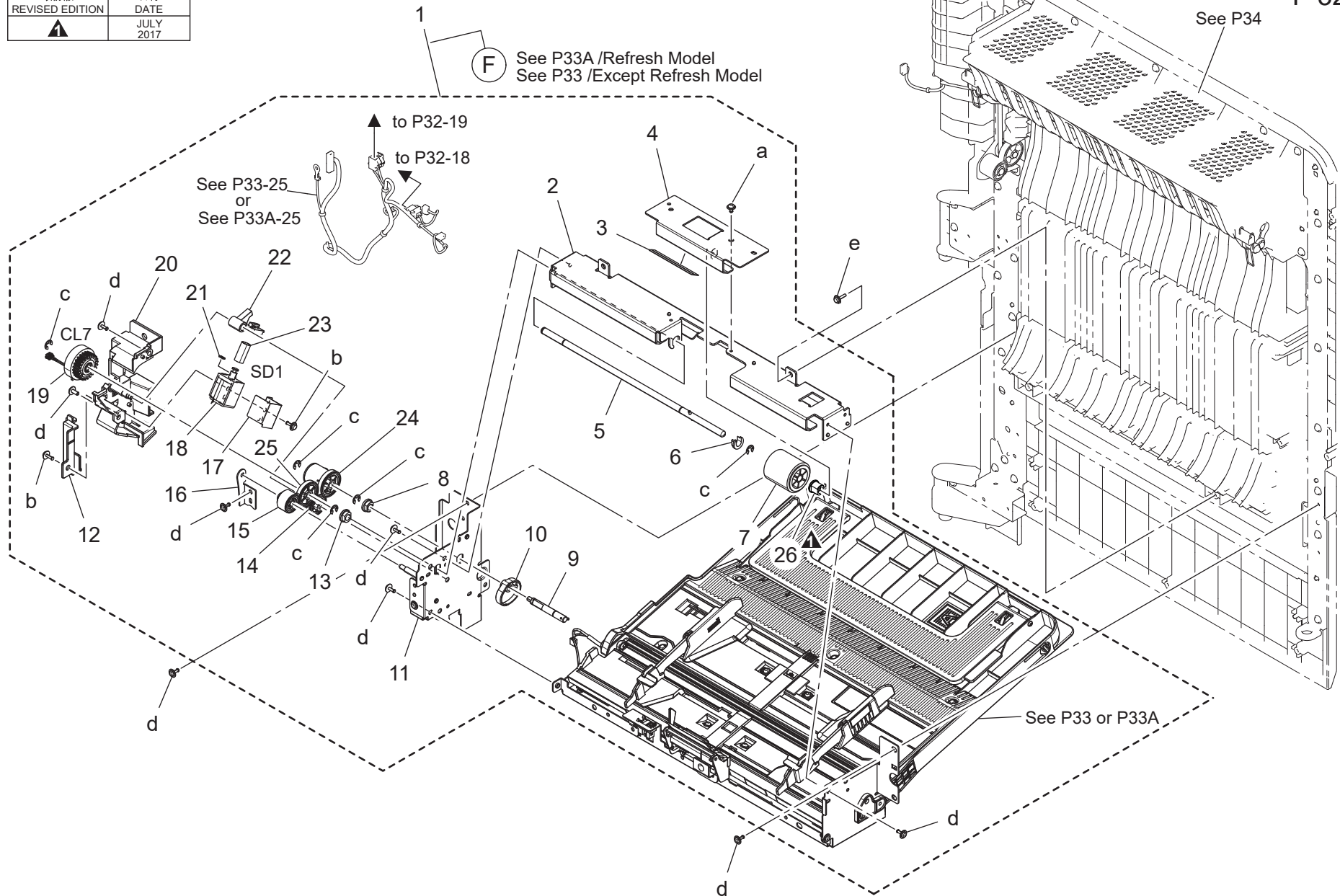


VERTICAL CONVEYANCE DOOR SECTION

Key	Part No.	Description	Destinations	Class	QTY	Standard parts
1	A0ED712100	Lock Claw		C	1	a-V153031004 b-V144030803 c-V125030803 d-V127030604
2	A797811500	Support Part /Upper		D	1	
3	A797811000	Lock Plate		D	1	
4	A797811100	Open/close Handle		C	1	
5	A797811400	Lock /Middle		C	1	
6	A797815901	Torsion Coil spring		C	1	
7	A797811600	Lock Claw /Lower		C	1	
8	A797811300	Lock Part /Lower		D	1	
9	A64J815500	Pulling Spring		C	3	
11	A161815300	Shaft		D	1	
12	A797810401	Paper feed Guide		D	1	
13	A797600700	Paper feed Guide		D	1	
14	A797108400	Holder		D	1	
15	A797108200	Adjusting Plate		D	1	
16	A797108100	Adjusting Plate		D	1	
17	A797815400	Roll		C	2	

BYPASS TRAY SECTION

改訂版 REVISED EDITION	日付 DATE
	JULY 2017

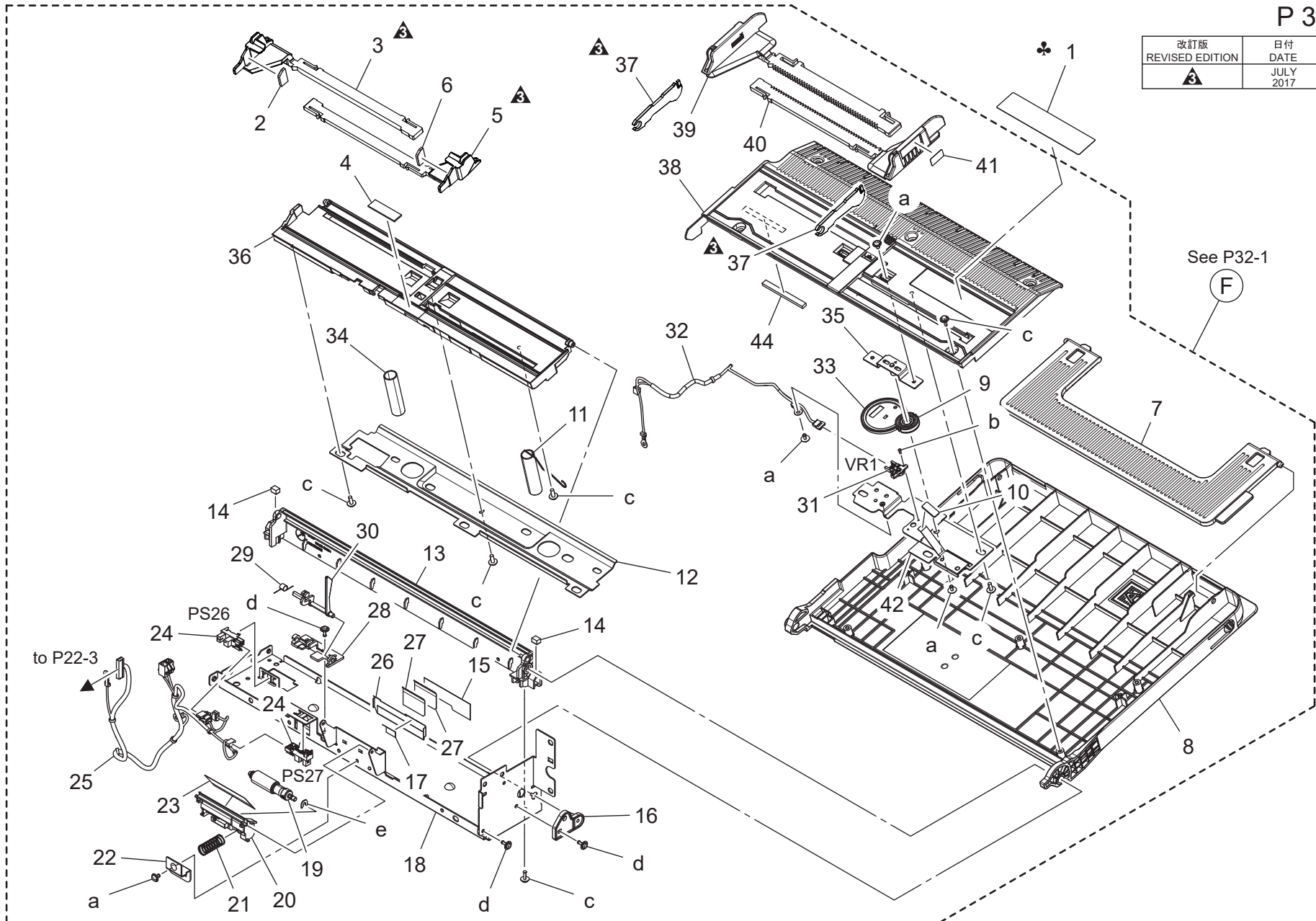


BYPASS TRAY SECTION

Key	Part No.	Description	Destinations	Class	QTY	Standard parts
1	A797F5900A	Bypass ASSY	手差し A s s y (Except Refresh Model)	S	1	a-V127030604 b-V153030803 c-V217040001 d-V144030803 e-V153031004
1	A797F59502	Bypass ASSY-R	手差し A s s y - R (Refresh Model)	S	1	
2	A797603000	Mounting Plate	取付板	D	1	
3	A161594700	Guide Sheet	ガイドシート	C	1	
4	A7AH600300	Holder	ホルダ	D	1	
5	A7AH601100	Paper feed Shaft	給紙軸	D	1	
6	A161594400	Slide Stopper	スライドストッパ	C	1	
7	A00F623201	Roller	ローラ (給紙)	B	1	
8	A02E596300	Bushing	すべり軸受	C	1	
9	A7AH602701	Shaft	軸	D	1	
10	A161593300	Paper feed Cam	給紙カム	C	1	
11	A797600500	Drive Frame	駆動フレーム	D	1	
12	A797605101	Bypass Cover	手差しカバー	D	1	
13	1134304301	BUSHING	軸受	C	1	
14	A7AH603000	Gear 20T	ギア 20 T	C	1	
15	A7AH602200	Bypass Gear	手差しギア	C	1	
16	A797604100	Reinforce Plate	補強板	D	1	
17	A7AH604300	Cover	カバー	D	1	
18	A034M20100	Conveyance Solenoid	搬送ソレノイド	C	1	
19	A7AHM20401	Clutch	クラッチ (Z = 24)	C	1	
20	A797600800	Drive Cover	駆動カバー	D	1	
21	A7AH604900	Seal	シール	C	1	
22	A7AH603100	Lever	レバー	C	1	
23	A7AH603200	Compressing Coil spring	圧縮コイルばね	C	1	
24	A7AHR72711	Clutch Assy	クラッチ A s s y	C	1	
25	A7AH604700	Gear 24T	ギア 24 T	C	1	
26	A02E815200	BUSHING	軸受	C	1	

BYPASS TRAY SECTION

改訂版 REVISED EDITION	日付 DATE
	JULY 2017



See P32-1

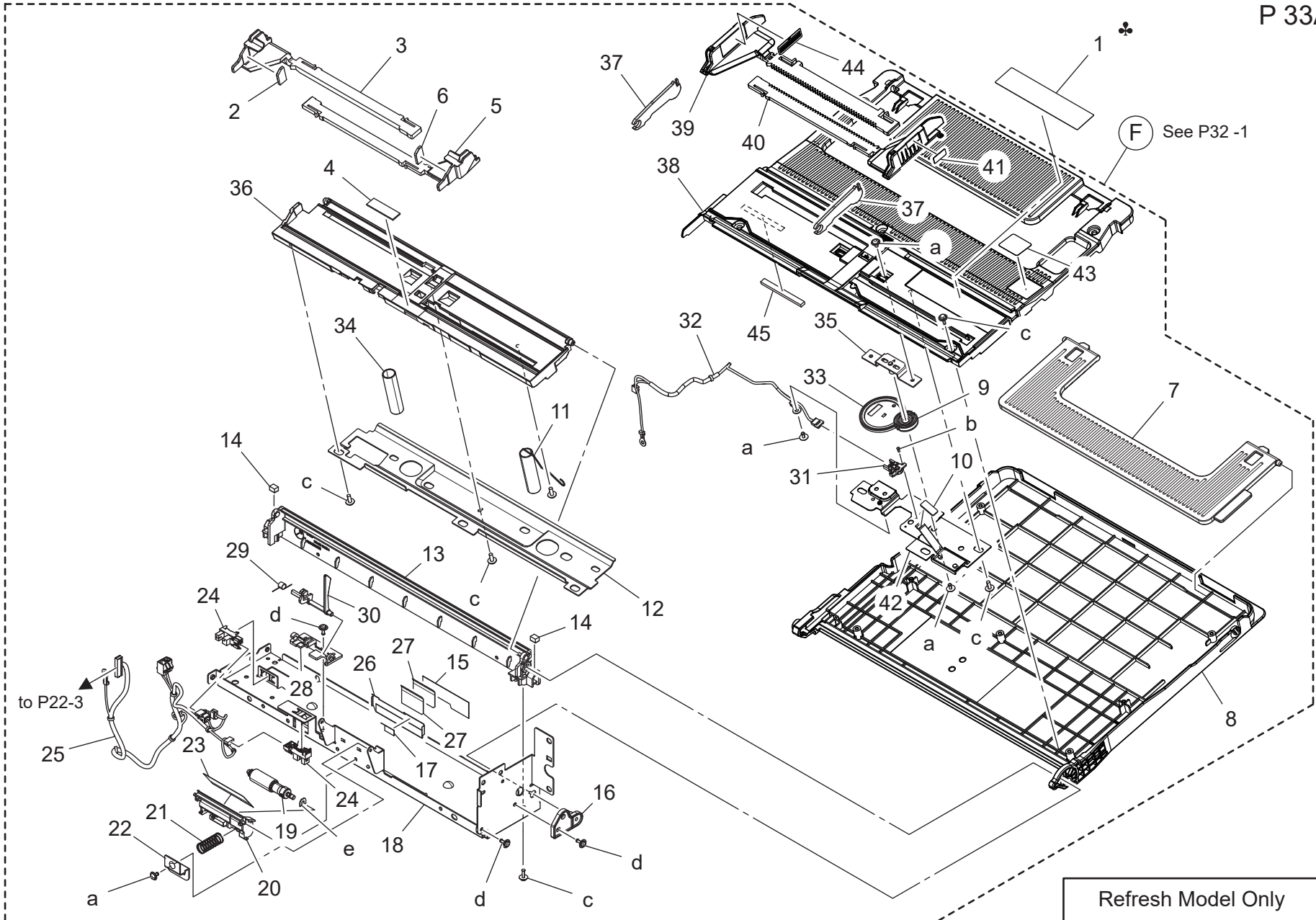
F

BYPASS TRAY SECTION

Key	Part No.	Description	Destinations	Class	QTY	Standard parts	
1	A797944100	Label Metric	ラベル/手差し・メトリック	A,A1,C,D1,D3,E,F2,G 1,I,K,J,H	C	1	a-V127030604 b-V111170403 c-V153030803 d-V144030803 e-V218030086
1	A797944200	Label Inch	ラベル/手差し・インチ	B,G2	C	1	
2	A7AH604501	Brake Part	ブレーキ材		C	1	
3	A797603301	Regulating Plate /R	規制板 / R		C	1	
4	0978381101	FRICITION SHEET	摩擦板		C	1	
5	A797603401	Regulating Plate /L	規制板 / L		C	1	
6	A7AH604401	Brake Part /F	ブレーキ材 / F		C	1	
7	A161592200	Auxiliary Tray	補助トレイ		C	1	
8	A797603101	Tray	トレイ		C	1	
9	A7PU593500	Gear	ギア		C	1	
10	A161593800	Friction Plate	摩擦板		C	1	
11	A7AH603300	Compressing Coil spring	圧縮コイルばね		C	1	
12	A797603200	Mounting Plate	取付板		D	1	
13	A797604200	Support Holder	支点ホルダ		C	1	
14	A161594201	Cushion	クッション		D	2	
15	A161595100	Seal	シール		C	1	
16	A161591600	Hold Plate	保持板		C	1	
17	A161595600	Slide Guide	すべりガイド		C	1	
18	A797600600	Frame	フレーム		D	1	
19	4658015106	Roller Assy	ローラ ASSY		A	1	
20	A797601300	Paper feed Holder	給紙ホルダ		D	1	
21	4030347501	PRESSURE SPRING	圧縮コイルばね		C	1	
22	A7AH601400	Hold Plate	保持板		D	1	
23	A02E597600	Guide	ガイド (捌き後)		C	1	
24	A5C1M50100	Photointerrupter	透過型センサ		B	2	
25	A797N10R01	Paperfeed Drive harness	給紙駆動束線		D	1	
26	A161595300	Separating Plate	分離板		C	1	
27	4030340301	GUIDE	ガイド		C	2	
28	A161591100	Sensor Holder	センサホルダ		D	1	
29	A161591000	Torsion Spring	ねじりばね (PE)		C	1	
30	A797601200	Actuator	アクチュエータ		C	1	
31	A161M50400	VR	ボリューム		D	1	
32	A797N10S00	Paperfeed Detection harness /3	給紙検知束線 / 3		D	1	
33	A161594300	Regulating Gear 41T	規制ギア 41 T		C	1	
34	A7AH603400	Compressing Coil spring	圧縮コイルばね		C	1	
35	A7PUF60000	Mounting Plate	ギア取付板		D	1	
36	A797600202	Lifting Plate	押上げ板		D	1	
37	A797603701	Lever	レバー		C	2	
38	A797603500	Bypass Tray /Upper	手差しトレイ / 上		C	1	
39	A797603600	Regulating Plate /R	規制板 / R		C	1	
40	A7PU593100	Regulating Plate /F	規制板 / F		C	1	
41	A161943000	Label	ラベル		C	1	
42	A7PU593700	Mounting Plate	取付板		D	1	
44	A161592600	Holding Cover /2	押さえカバー / 2		D	1	

BYPASS TRAY SECTION

P 33A



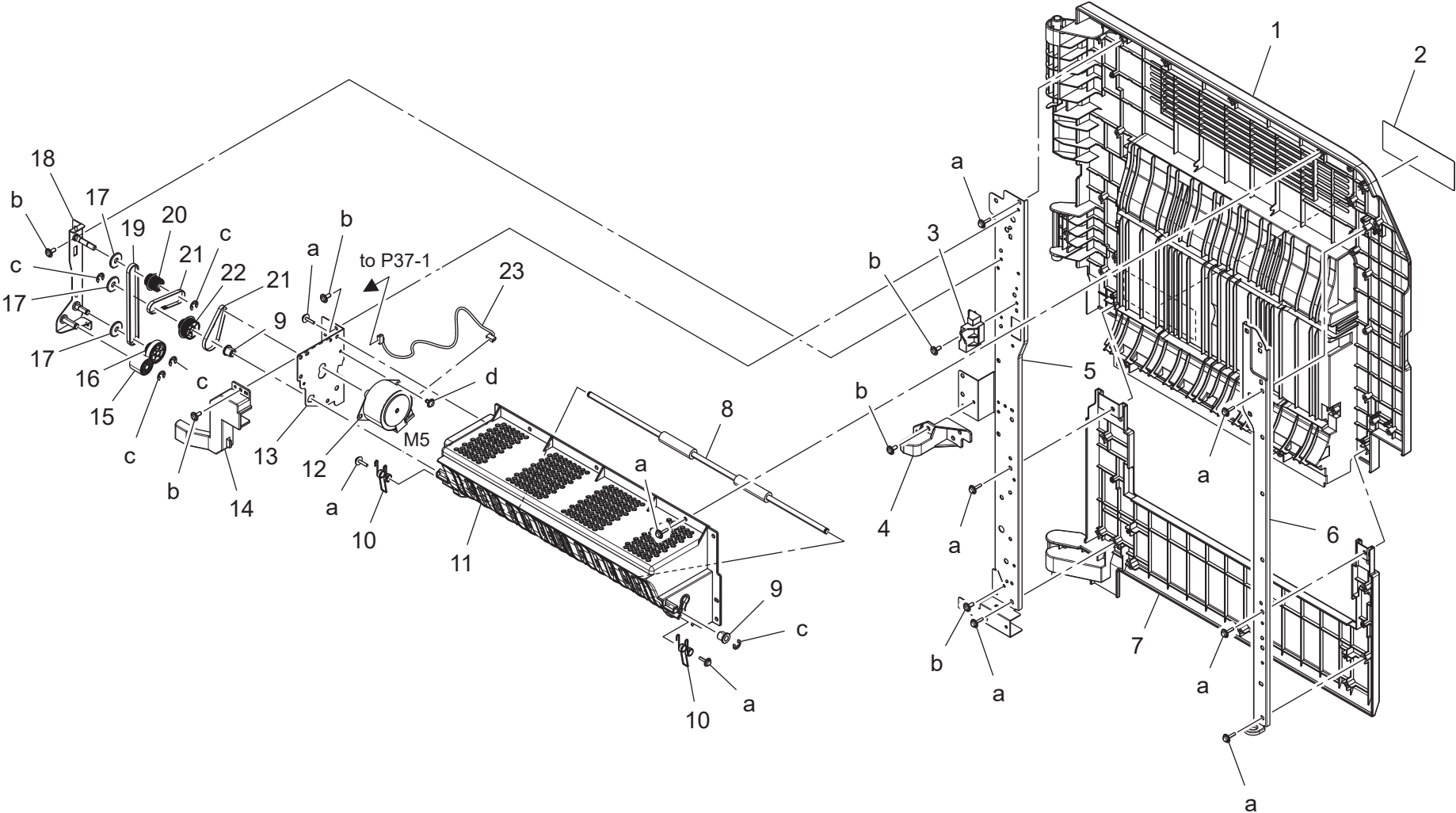
Refresh Model Only

bizhub C227

BYPASS TRAY SECTION

Key	Part No.	Description	Destinations	Class	QTY	Standard parts
1	A797944200	Label Inch	(Refresh Model)B,G2	C	1	a-V127030604 b-V111170403 c-V153030803 d-V144030803 e-V218030086
1	A797944100	Label Metric	(Refresh Model)A,A1 C,D1,D3,E,F2,G1,I, K	C	1	
2	A7AH604501	Brake Part	(Refresh Model)	C	1	
3	A797603301	Regulating Plate /R	(Refresh Model)	C	1	
4	0978381101	FRICITION SHEET	(Refresh Model)	C	1	
5	A797603401	Regulating Plate /L	(Refresh Model)	C	1	
6	A7AH604401	Brake Part /F	(Refresh Model)	C	1	
7	A161592200	Auxiliary Tray	(Refresh Model)	C	1	
8	A797606100	Tray	(Refresh Model)	C	1	
9	A7PU593500	Gear	(Refresh Model)	C	1	
10	A161593800	Friction Plate	(Refresh Model)	C	1	
11	A7AH603300	Compressing Coil spring	(Refresh Model)	C	1	
12	A797603200	Mounting Plate	(Refresh Model)	D	1	
13	A797604200	Support Holder	(Refresh Model)	C	1	
14	A161594201	Cushion	(Refresh Model)	D	2	
15	A161595100	Seal	(Refresh Model)	C	1	
16	A161591600	Hold Plate	(Refresh Model)	C	1	
17	A161595600	Slide Guide	(Refresh Model)	C	1	
18	A797600600	Frame	(Refresh Model)	D	1	
19	4658015106	Roller Assy	(Refresh Model)	A	1	
20	A797601300	Paper feed Holder	(Refresh Model)	D	1	
21	4030347501	PRESSURE SPRING	(Refresh Model)	C	1	
22	A7AH601400	Hold Plate	(Refresh Model)	D	1	
23	A02E597600	Guide	(Refresh Model)	C	1	
24	A5C1M50100	Photointerrupter	(Refresh Model)	B	2	
25	A797N10R01	Paperfeed Drive harness	(Refresh Model)	D	1	
26	A161595300	Separating Plate	(Refresh Model)	C	1	
27	4030340301	GUIDE	(Refresh Model)	C	2	
28	A161591100	Sensor Holder	(Refresh Model)	D	1	
29	A161591000	Torsion Spring	(Refresh Model)	C	1	
30	A797601200	Actuator	(Refresh Model)	C	1	
31	A161M50400	VR	(Refresh Model)	D	1	
32	A797N10S00	Paperfeed Detection harness /3	(Refresh Model)	D	1	
33	A161594300	Regulating Gear 41T	(Refresh Model)	C	1	
34	A7AH603400	Compressing Coil spring	(Refresh Model)	C	1	
35	A7PUF60000	Mounting Plate	(Refresh Model)	D	1	
36	A797600202	Lifting Plate	(Refresh Model)	D	1	
37	A797603701	Lever	(Refresh Model)	C	2	
38	A797606200	Bypass Tray /Upper	(Refresh Model)	C	1	
39	A7AH606700	REAR FENCE : TRAY : MPT	(Refresh Model)	D	1	
40	A7AH606600	FRONT FENCE : TRAY : MPT	(Refresh Model)	D	1	
41	A161943000	Label	(Refresh Model)	C	1	
42	A7AH606400	BKT : SENSOR : TRAY : MPT : ASSY	(Refresh Model)	D	1	
43	A7AH943701	Label	(Refresh Model)	C	1	
44	A7PU944500	Label	(Refresh Model)	C	1	
45	A161592600	Holding Cover /2	(Refresh Model)	D	1	

REVERSAL SECTION



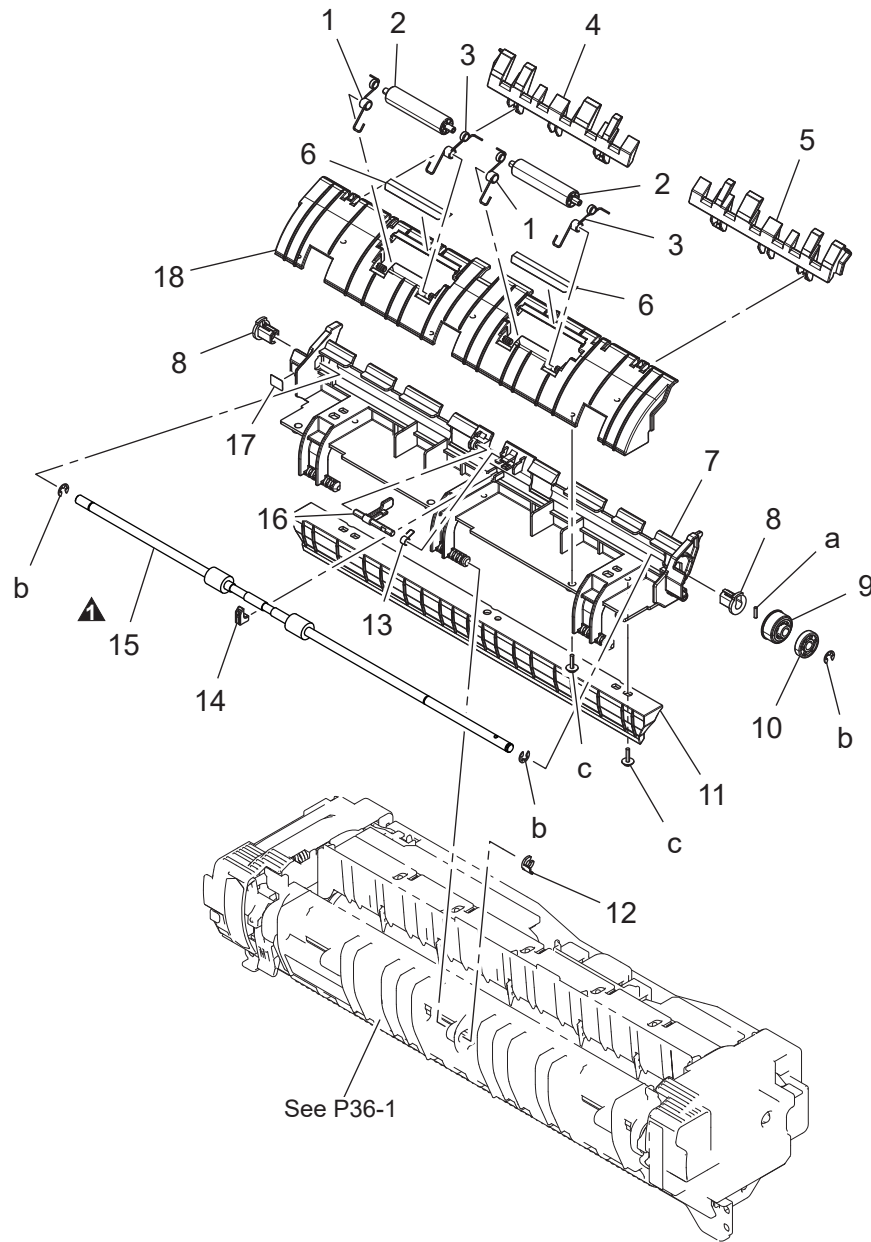
REVERSAL SECTION

Key	Part No.	Description	Destinations	Class	QTY	Standard parts
1	A797810102	Guide Door /Right		C	1	a-V153031004 b-V144030803 c-V217040001 d-V127030604
2	A7AH943000	Label Paper supply		C	1	
3	A797811901	Guide		D	1	
4	A797811801	Support Part		D	1	
5	A797810200	Reinforce Plate /Rear		D	1	
6	A797810300	Reinforce Plate /Front		D	1	
7	A797811700	Guide Door /Lower		C	1	
8	A797813901	Roller /B		C	1	
9	A02E815200	BUSHING		C	2	
10	A797814400	Pressing Spring /A		C	2	
11	A797813101	Guide Plate /4		D	1	
12	A7PUM10400	Stepping motor		C	1	
13	A797815000	Panel /Rear		D	1	
14	A797814201	Cover /B		D	1	
15	A797717200	Gear 18T		C	1	
16	A797717100	Gear 24T		C	1	
17	A161813801	Collar /A		C	3	
18	A797717000	Mounting Plate		D	1	
19	A797717300	Drive Belt /B		C	1	
20	A797815200	Pulley 22/24T		C	1	
21	A797815300	Timing belt 126L		C	2	
22	A797815100	Pulley 20/35T		C	1	
23	A797N10M01	ADU Drive harness		D	1	

REVERSAL SECTION

改訂版 REVISED EDITION	日付 DATE
▲	MAY 2018

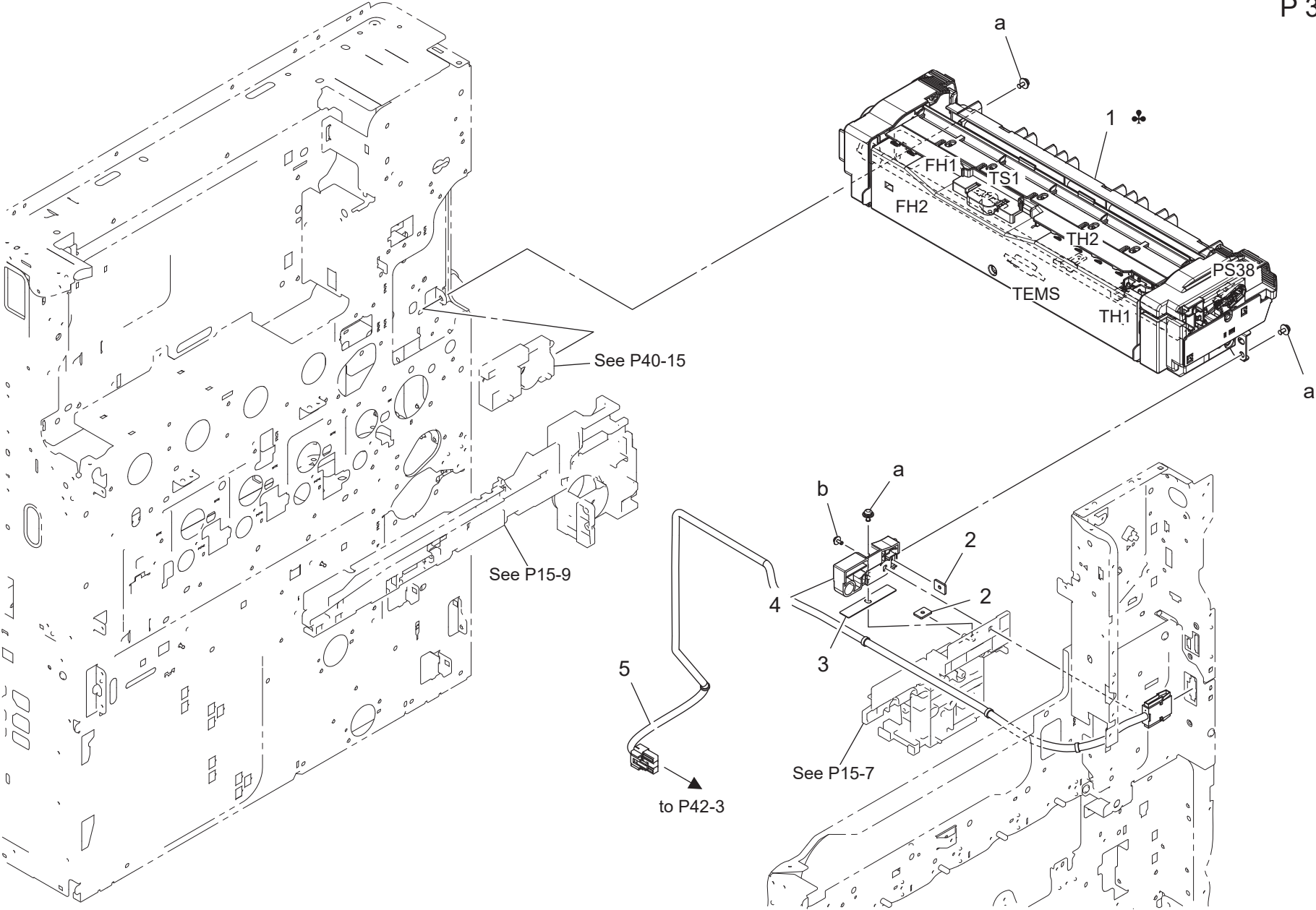
FRONT
▲



REVERSAL SECTION

Key	Part No.	Description	Destinations	Class	QTY	Standard parts
1	A797815700	Torsion Coil spring /Front		C	2	a-V234200850 b-V217040001 c-V153031004
2	A161825700	Idler Roller /A		D	2	
3	A797815800	Torsion Coil spring /Rear		C	2	
4	A797812600	Guide Plate		D	1	
5	A797812500	Guide Plate		D	1	
6	A797815600	Guide		C	2	
7	A797812102	Guide Plate /1		D	1	
8	4030581101	BUSHING		C	2	
9	A161819200	Gear 18T		C	1	
10	A797814600	Spacer		C	1	
11	A797812202	Guide Plate /2		D	1	
12	A797813000	Ring		C	1	
13	A797812800	Torsion Coil spring		C	1	
14	A797815500	Bushing		C	1	
15	A797812402	Roller /1		C	1	
16	A797812700	Actuator		C	1	
17	A797946500	Label M2		C	1	
18	A797812300	Guide Plate /3		D	1	

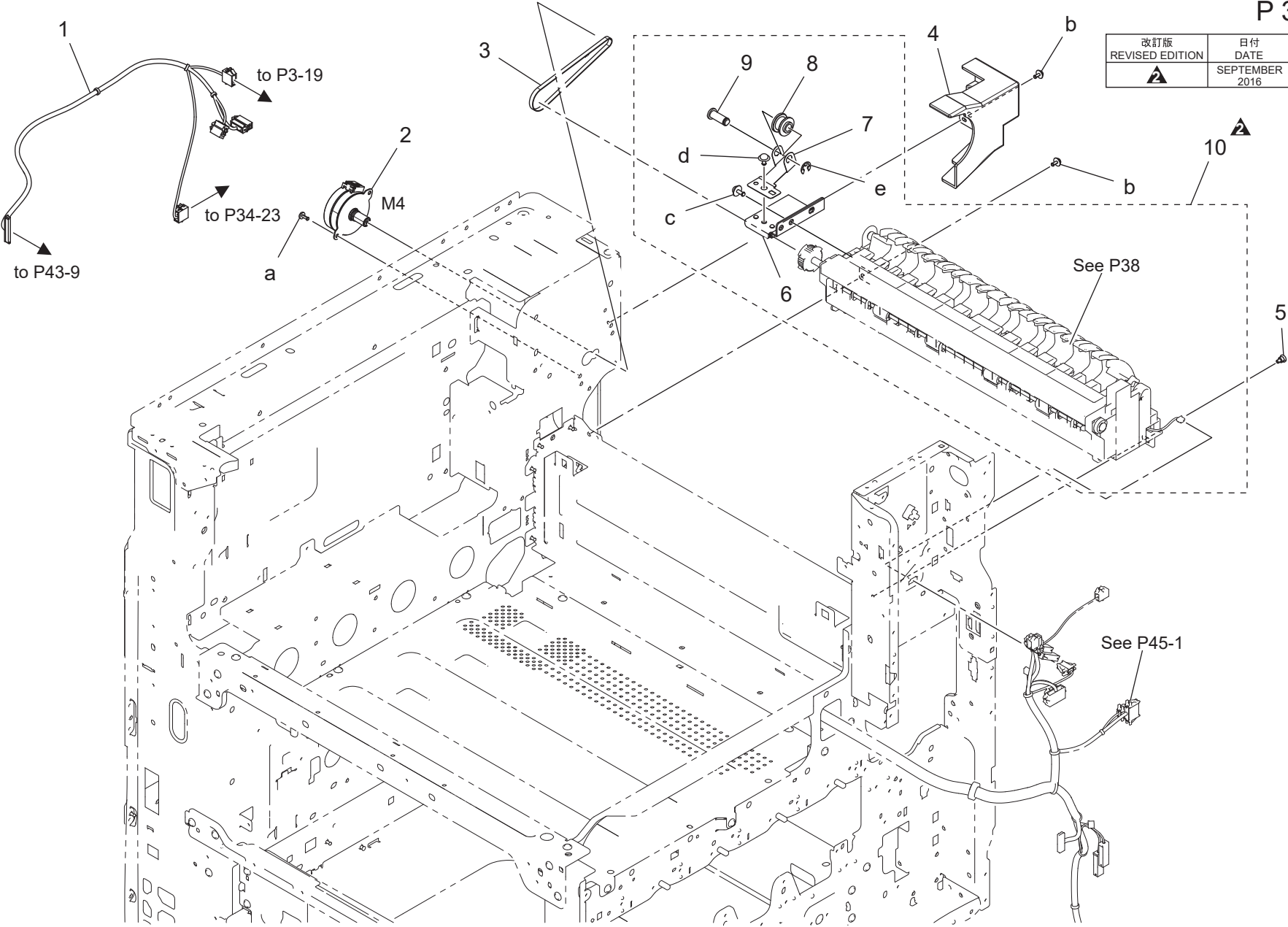
FUSING SECTION



FUSING SECTION

Key	Part No.	Description	Destinations	Class	QTY	Standard parts
1	A797R70122	Fusing Unit/ 100V	A,A1	B	1	a-V116040803 b-V125030803
1	A797R70211	Fusing Unit/ 120V	B,G2	B	1	
1	A797R70311	Fusing Unit/ 220-240V	C,D1,D3,E,F2,G1,I,K ,J	B	1	
1	A797R73000	Fusing Unit/110V	H	B	1	
2	A161112200	Mounting Plate		D	2	
3	A161112600	Adjusting Plate		D	1	
4	A797110400	Fusing Rail /Front		D	1	
5	A797N10400	Heater Relay harness		D	1	

PAPER EXIT SECTION




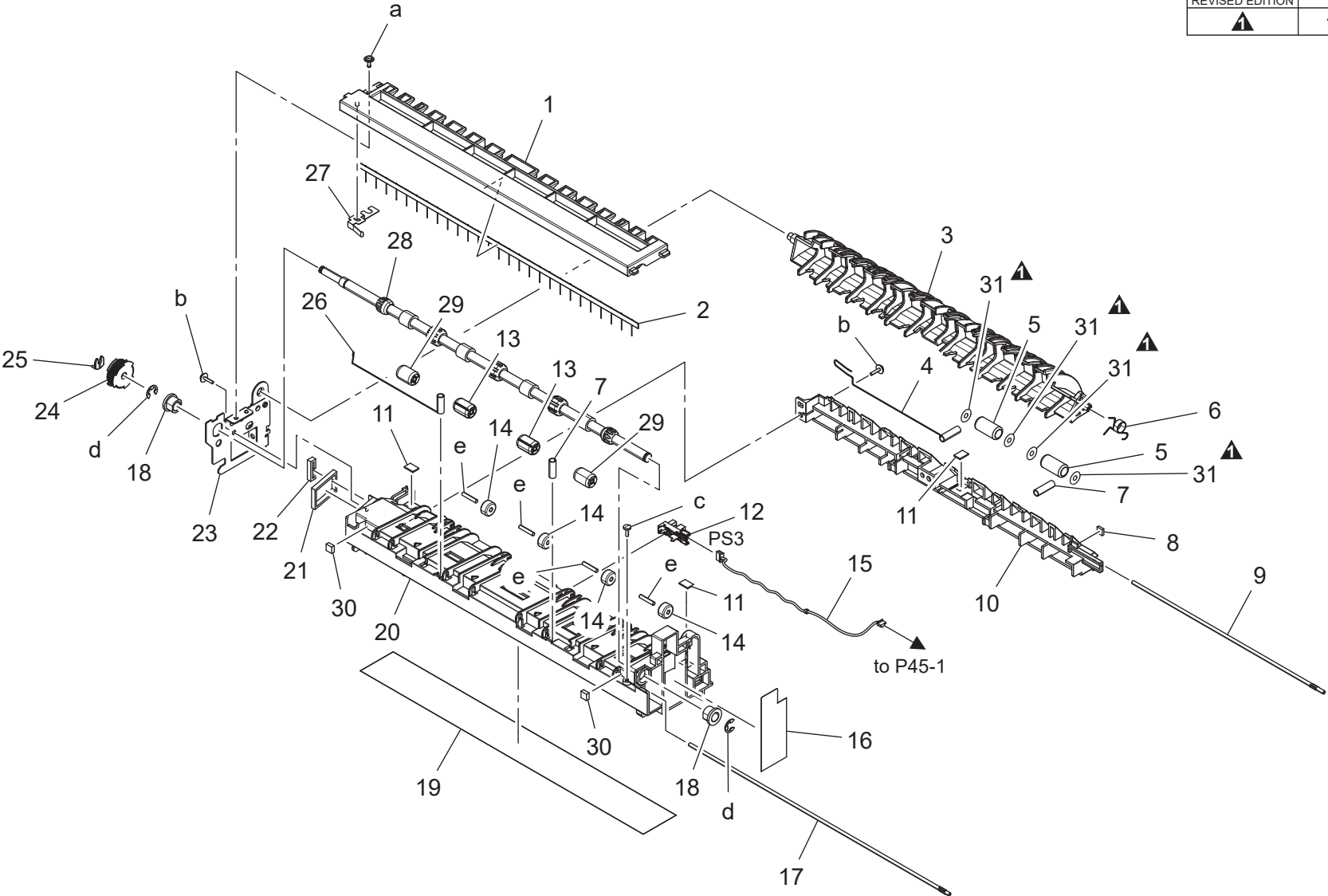
改訂版 REVISED EDITION	日付 DATE
	SEPTEMBER 2016

PAPER EXIT SECTION

Key	Part No.	Description	Destinations	Class	QTY	Standard parts
1	A797N10D00	Drive Wiring		D	1	a-V126030803 b-V125030803 c-V125030803 d-V127030604 e-V217040001
2	A797M10300	PM Stepping motor		C	1	
3	A797891500	Timing belt 226L		C	1	
4	A797892200	Cover		D	1	
5	1164202801	SHOULDER SCREW		D	1	
6	A797893100	Mounting Plate		D	1	
7	A797893200	Plate spring		C	1	
8	A797893300	Roll		C	1	
9	A797893400	Shaft		D	1	
10	A797F8900A	Paper Exit ASSY		S	1	

PAPER EXIT SECTION

改訂版 REVISED EDITION	日付 DATE
	APRIL 2016

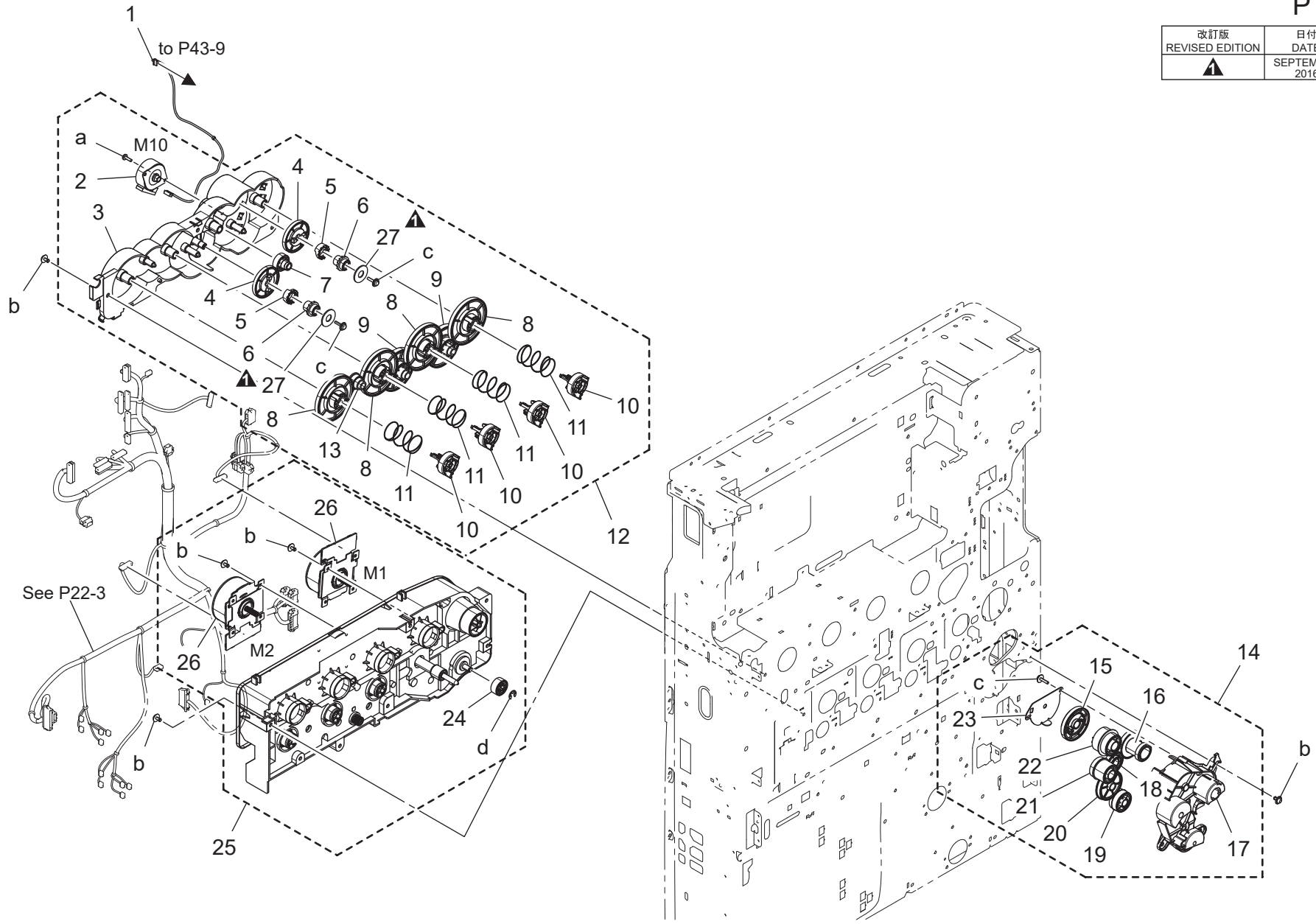


PAPER EXIT SECTION

Key	Part No.	Description	Destinations	Class	QTY	Standard parts
1	A797890100	Guide /Upper		D	1	a-V144030803 b-V153031004 c-V149030803 d-V217060001 e-V234301650
2	A797891400	Neutralizing Brush		C	1	
3	A797890500	Guide Lever		C	1	
4	A797891101	Ground Spring		D	1	
5	A0P0901100Old	Roll		C	2	
5	A2X0901100	Roll		C	2	
6	A797890600	Torsion Coil spring		C	1	
7	A797892700	Spring		C	2	
8	A797892601	Cushion /A		C	1	
9	A797891200	Shaft		D	1	
10	A797891000	Guide		D	1	
11	A797892300	Cushion /B		C	3	
12	A5C1M50100	Photointerrupter		B	1	
13	A5C1891100	Roll		D	2	
14	A0ED897700	Collar		C	4	
15	A797N11100	Conveyance Detection harness /Lower		D	1	
16	A797891900	Seal		C	1	
17	A797893000	Shaft		D	1	
18	A0ED891100	Bushing		D	2	
19	A797891800	Seal		C	1	
20	A797890001	Guide /Lower		D	1	
21	A797892000	Seal		C	1	
22	A797892100	Seal		C	1	
23	A797890201	Mounting Plate /Rear		D	1	
24	A797891300	Pulley 36T		C	1	
25	56AA40490	SHAFT STOPPER 4		C	1	
26	A797892400	Ground Spring		D	1	
27	A797892500	Ground Contact /Lower		D	1	
28	A797890300	Roller		C	1	
29	4004590301	ROLL		C	2	
30	A797892900	Cushion /C		C	2	
31	A64J891200	Washer		D	4	

DRIVE SECTION


改訂版 REVISED EDITION	日付 DATE
▲	SEPTEMBER 2016

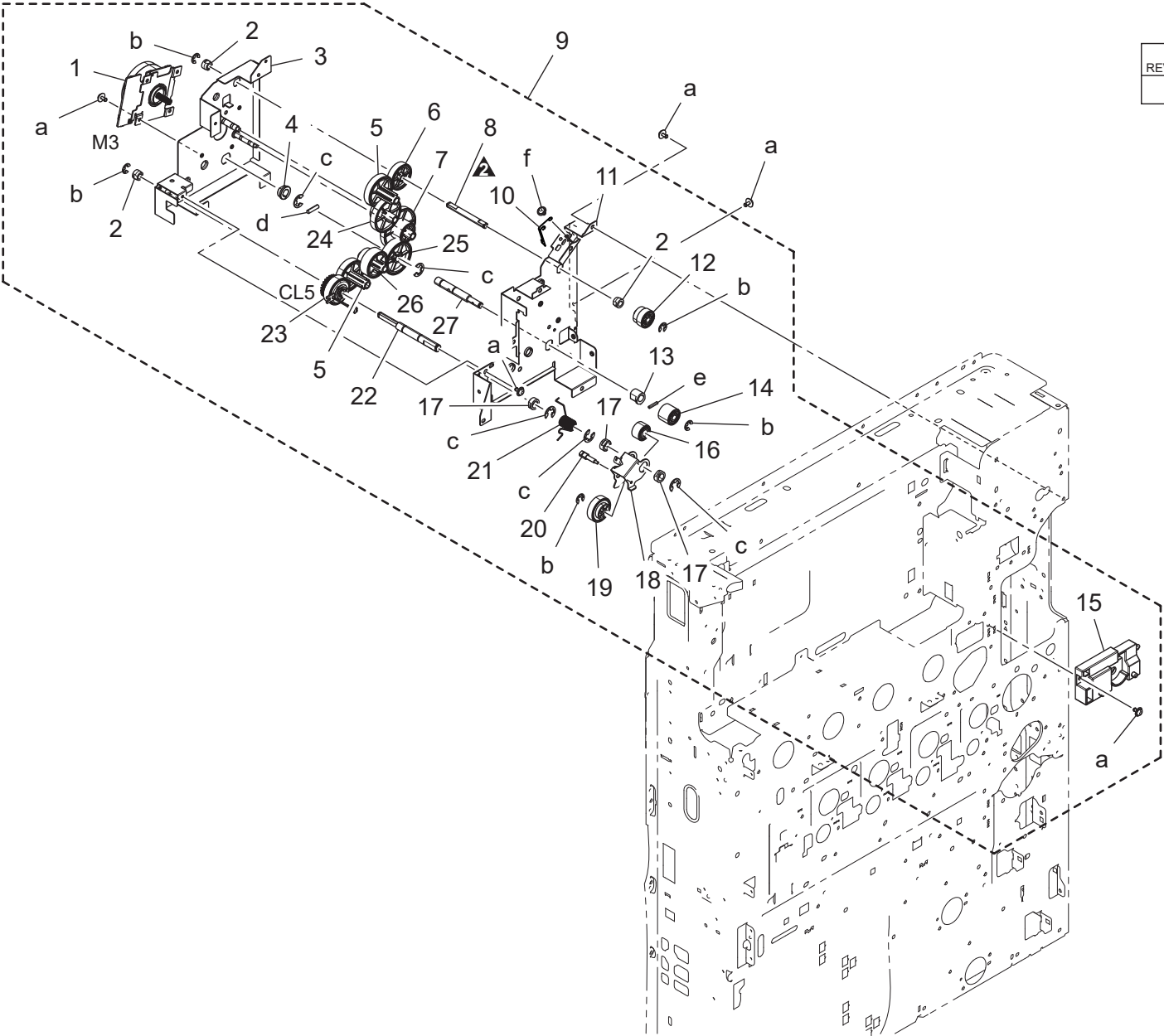


DRIVE SECTION

Key	Part No.	Description	Destinations	Class	QTY	Standard parts
1	A797N11400	Toner Drive harness /3		D	1	a-V145030803 b-V127030604 c-V153031004 d-V217040001
2	A7PUM10700	Stepping motor		C	1	
3	A797240100	Holder		D	1	
4	A797240300	Gear 100T		C	2	
5	A797241001	Coupling		C	2	
6	A797240900	Gear 15T		C	2	
7	A797240500	Gear 50T		C	1	
8	A797240600	Gear 74T		C	4	
9	A797240400	Gear 30/67T		C	2	
10	A161240700	Joint		C	4	
11	4038541202	PRESSURE SPRING		C	4	
12	A797F23001	TB Drive ASSY		S	1	
13	A797240800	Gear 20T		C	1	
14	A797F25000	Paper Feed Drive ASSY		S	1	
15	A797253500	Gear 66T		C	1	
16	A797259800	Gear 21/41T		C	1	
17	A797221000	Holding		D	1	
18	A797253100	Gear 32T		C	1	
19	A797220700	Gear 24/29T		C	1	
20	A797253200	Gear 44T		C	1	
21	A797220100	Gear 23/29T		C	1	
22	A797253600	Gear 31T		C	1	
23	A797221100	Hold Plate		D	1	
24	A797254000	Gear 18T		C	1	
25	A797R71111	Main Drive Assy		C	1	
26	A7PUM10100	Brushless motor /30		I	2	
27	A797241100	Washer		C	2	

DRIVE SECTION

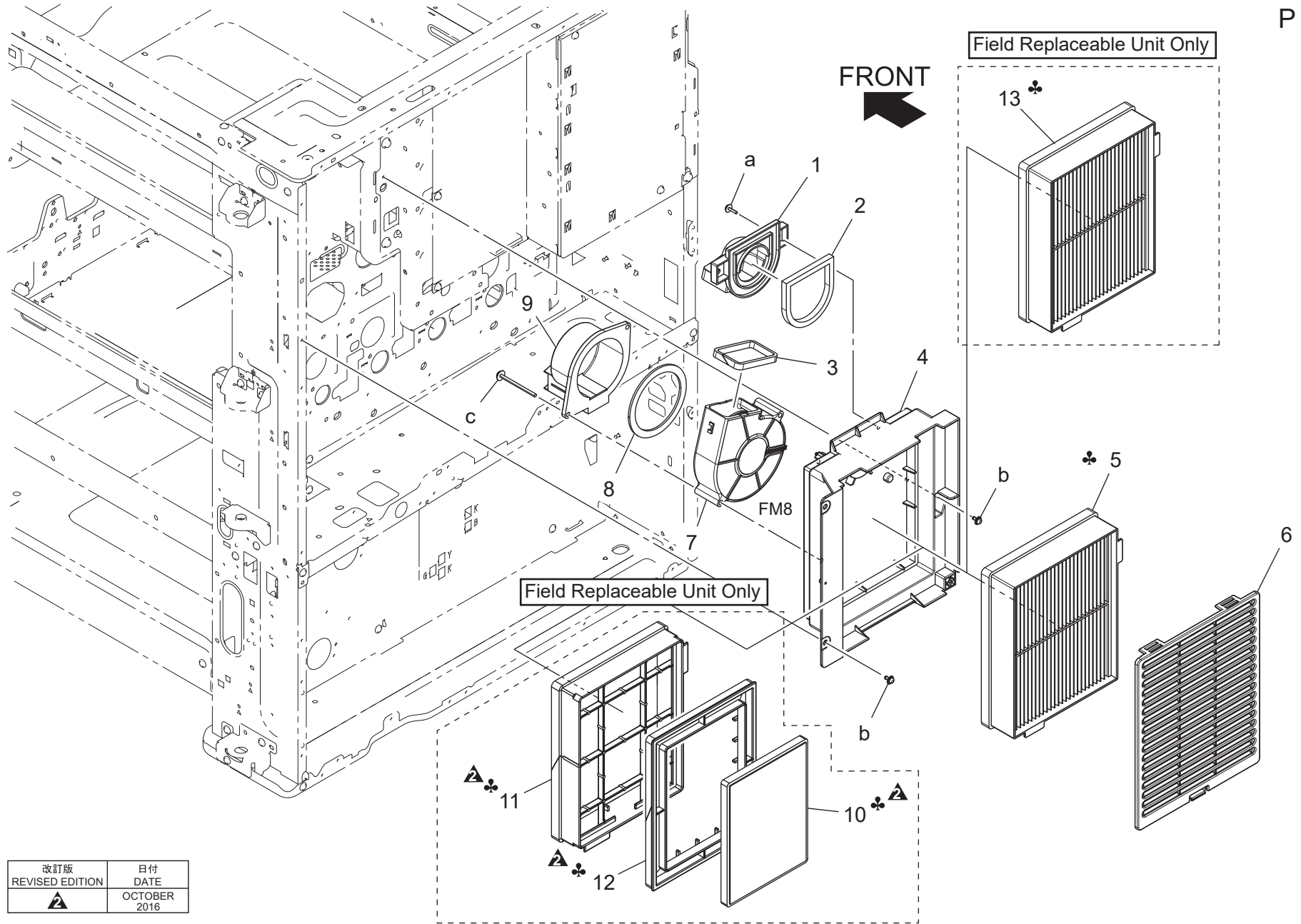
改訂版 REVISED EDITION	日付 DATE
	MARCH 2016



DRIVE SECTION

Key	Part No.	Description	Destinations	Class	QTY	Standard parts
1	A7PUM10000	Brushless motor /20		I	1	a-V127030604 b-V217040001 c-V217060001 d-V234301250 e-V234201050 f-V116030603
2	A797232300	Bushing		C	3	
3	A797255600	Mounting Plate		D	1	
4	A03U812800	Slide Shaft Holder		B	1	
5	A797230600	Gear 34T		C	2	
6	A797230800	Gear 28T		C	1	
7	A797228000	Gear 21/87T		C	1	
8	A797231800	Shaft		D	1	
9	A797F22004	Fusing Drive ASSY		S	1	
10	A797814001	Contact		C	1	
11	A797255700	Mounting Plate		D	1	
12	A797230700	Gear 18T		C	1	
13	A161702200	Bushing		C	1	
14	A797228700	Gear 16T		C	1	
15	A797110500	Fusing Rail /Rear		D	1	
16	4038258001	GEAR 16T		C	1	
17	A0ED259700	Bushing		C	3	
18	A161258800	Mounting Plate		D	1	
19	A0ED257500	Gear 26T		C	1	
20	A161259400	Shaft		D	1	
21	A161232501	Torsion Coil spring		D	1	
22	A797258700	Shaft		D	1	
23	A7AHM20401	Clutch		C	1	
24	A797230500	Gear 20/72T		C	1	
25	A797228100	Gear 37T		C	1	
26	A797259100	Gear 20/29T		C	1	
27	A797228300	Shaft		D	1	

OZONE DUCT SECTION

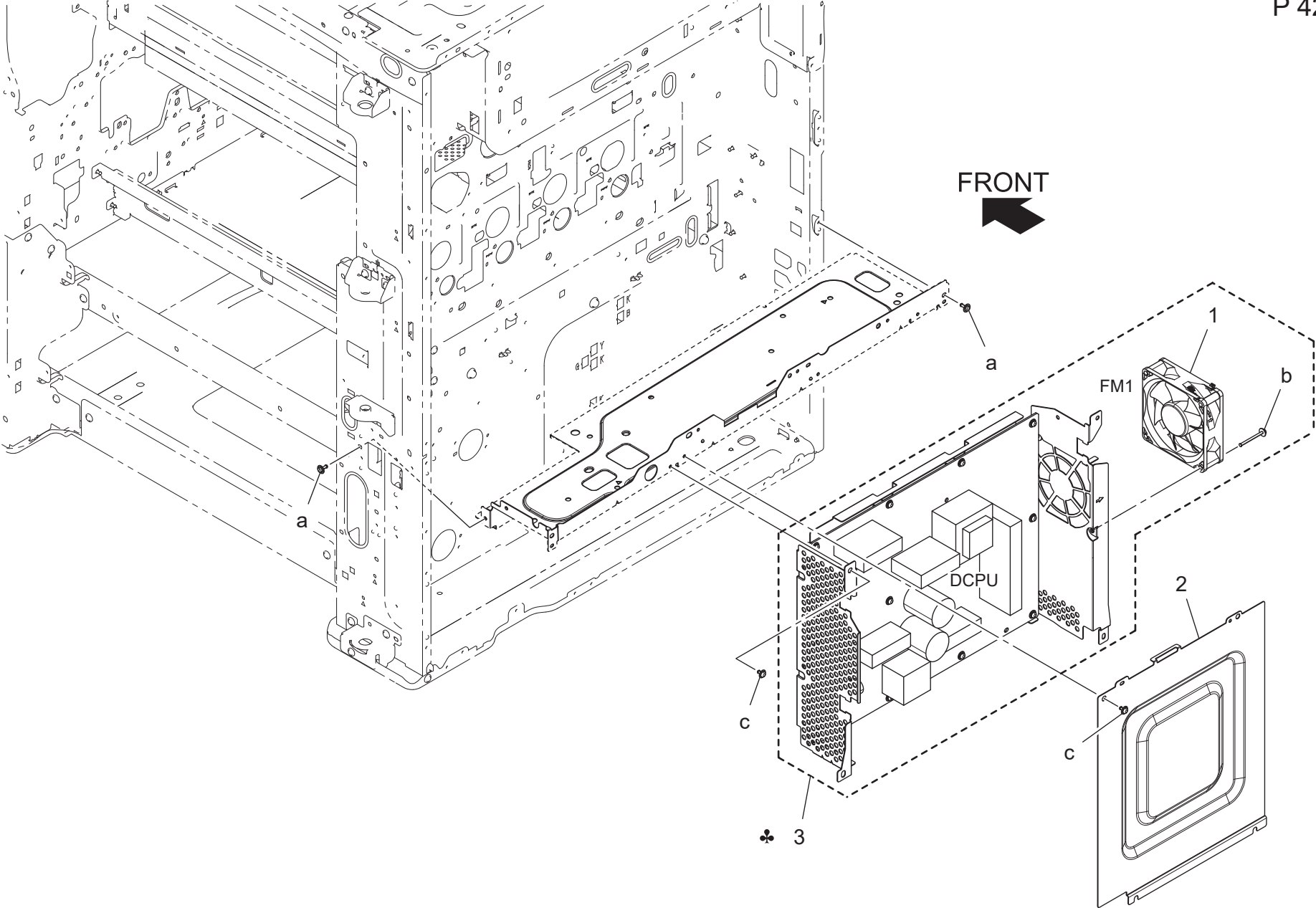


改訂版 REVISED EDITION	日付 DATE
	OCTOBER 2016

OZONE DUCT SECTION

Key	Part No.	Description	Destinations	Class	QTY	Standard parts
1	A797150300	Duct /2		D	1	a-V153031004 b-V125030803 c-V153044503
2	A797150500	Sealing Part		C	1	
3	A7PU143300	Seal		C	1	
4	A797150400	Duct /3		D	1	
5	A797152100	Filter	C,I (South Africa)	C	1	
6	A797150600	Cover		C	1	
7	9313100072	FAN MOTOR		C	1	
8	A02E117300	Seal		C	1	
9	A797150100	Duct /1		D	1	
10	A797152200	Filter		C	1	
11	A797R72700	Filter Case/1		D	1	
12	A797R72600	Filter Case/2		D	1	
13	A797152100	Filter	A,A1,B,D1,D3,E,F2,G 1,G2,I(Except South Africa),K,J,H	C	1	

MAIN POWER SUPPLY SECTION

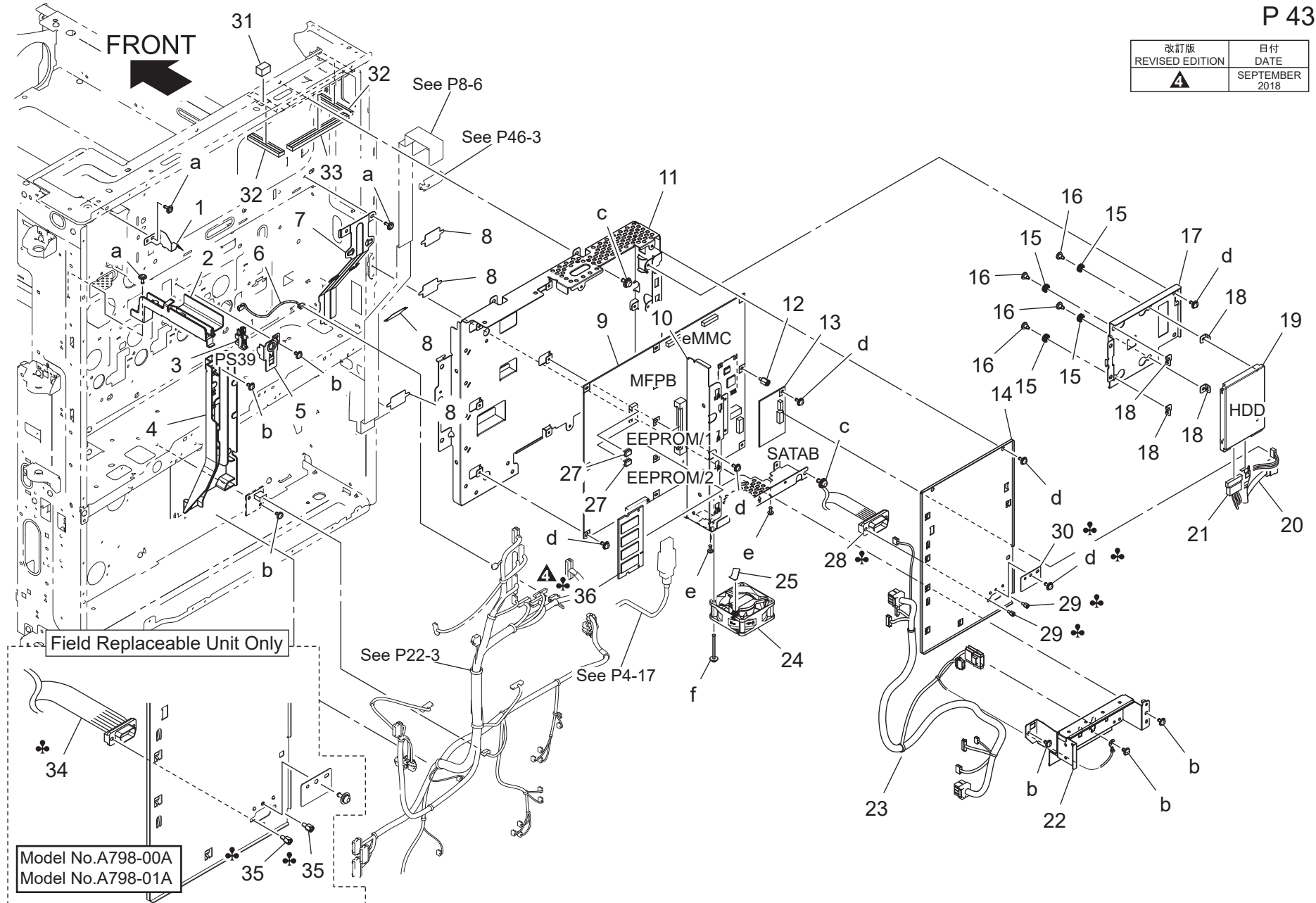


MAIN POWER SUPPLY SECTION

Key	Part No.	Description	Destinations	Class	QTY	Standard parts
1	4139M10000	Fan motor		B	1	a-V144030803 b-V116033003 c-V127030604
2	A797166300	Mounting Plate		D	1	
3	A797R70700	Power supply Assy /100V		I	1	
3	A797R70800	Power supply Assy /120V	A,A1,H	I	1	
3	A797R70900	Power supply Assy /220-240V	B,G2	I	1	
3	A797R70900	Power supply Assy /220-240V	C,D1,D3,E,F2,G1,I,K	I	1	
			J	I	1	

ELECTRICAL COMPONENTS

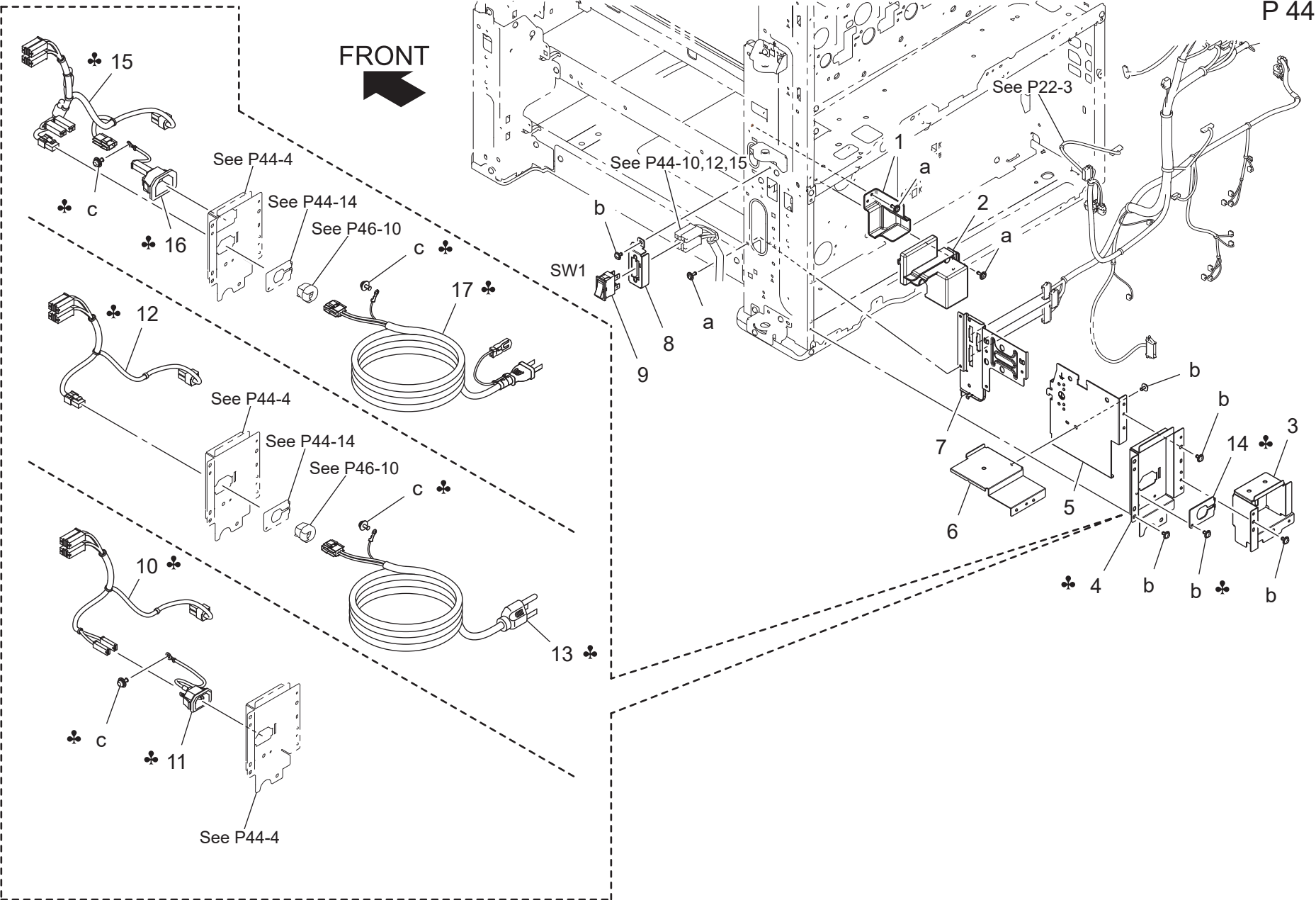
改訂版 REVISED EDITION	日付 DATE
	SEPTEMBER 2018



Key	Part No.	Description	Destinations	Class	QTY	Standard parts
1	A797102600	Ground Plate	アース板	D	1	a-V144030803 b-V127030604 c-V116040803 d-V125030803 e-V111030603 f-V116033003
2	A797137800	Guide	ガイド	D	1	
3	A5C1M50100	Photointerrupter	透過型センサ	B	1	
4	A797137400	Guide	ガイド	D	1	
5	A797135200	Mounting Plate	取付板	D	1	
6	A797N11300	Connecting Detection harness	連結検知束線	D	1	
7	A797137500	Mounting Plate	取付板	D	1	
8	A797137900	Seal	シール	C	4	
9	A797H02118	PWB Assembly(PWB-MFP ASSY)	基板 ASSY (PWB-MFP ASSY)	I	1	
9	A797H02118	PWB Assembly(PWB-MFP ASSY)	基板 ASSY (PWB-MFP ASSY)	I	1	
10	A797137101	Mounting Plate	取付板	D	1	
11	A797137000	Mounting Plate	取付板	D	1	
12	A161137600	Shoulder screw	段ねじ (SSD)	D	1	
13	A7AHH02S02	PWB Assmby(PWB-SATA)	基板 ASSY (PWB-SATA ASSY)	I	1	
14	A797137201	Cover	カバー	D	1	
15	A4EU138000	Support Rubber	支持ゴム	D	4	
16	A5C1134200	Shoulder screw	段ねじ (HDD)	C	4	
17	A797139000	Mounting Plate	取付板	D	1	
18	A5C1134111	Spacer	スペーサ (HDD)	D	4	
19	A5C1M72H00	HDD	HDD	I	1	
20	A7AHN15100	Signal Cable	信号ケーブル / SATA	D	1	
21	A161N15J00	Power source Cable	電源ケーブル (SATA CABLE)	C	1	
22	A797135001	Mounting Plate	取付板	D	1	
23	A797N10B00	Power source Wiring	電源束線	D	1	
24	4556M10000	Fan Motor	ファンモーター	B	1	
25	A797138800	Seal	シール	D	1	
27	V864800107	EEPROM (2 pieces)	EEPROM (2個セット)	D	2	
28	A7AHN15A00	Harness /Control	制御束線 / CSRC	D	1	
29	A7AH131301	Screw	ねじ (CSRC)	C	2	
30	A797138700	Cover	蓋	D	1	
31	A7PUM92600	Gasket	ガスケット	D	1	
32	A797M90200	Gasket /3	ガスケット / 3	D	2	
33	A797M90100	Gasket /2	ガスケット / 2	D	1	
34	A7AHN15A00	Harness /Control	制御束線 / CSRC	D	1	
35	A7AH131301	Screw	ねじ (CSRC)	C	2	
36	V865300085	MEMORY MODULES	MEMORY MODULES	C	1	

ELECTRICAL COMPONENTS

P 44



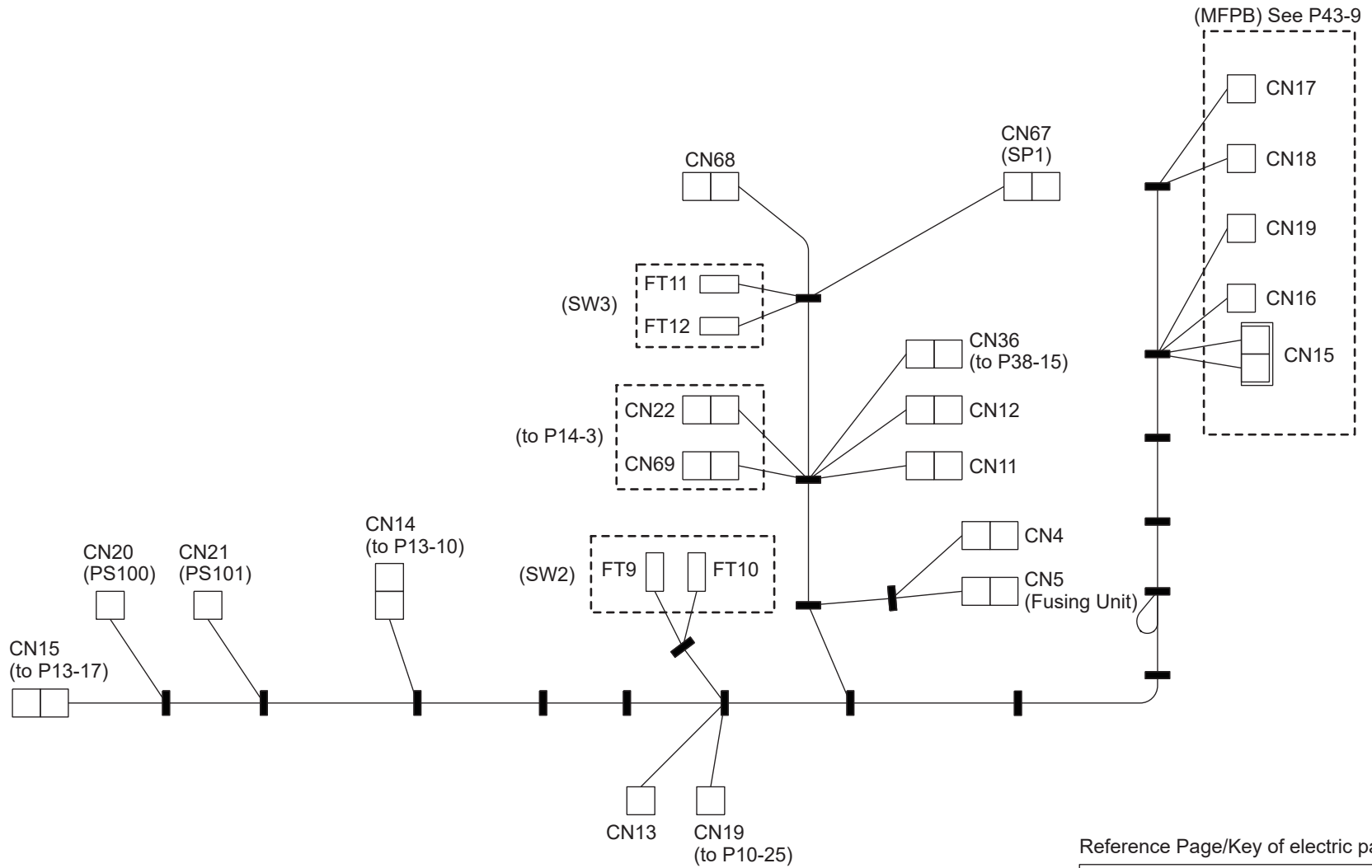
ELECTRICAL COMPONENTS

Key	Part No.	Description	Destinations	Class	QTY	Standard parts
1	A797132900	Wiring Cover		D	1	a-V144030803 b-V127030604 c-V116040803
2	A797132500	Cover		D	1	
3	A797132701	Mounting Plate		D	1	
4	A797132100	Mounting Plate	B,C,G2,D1,D3,E,F2,G 1,I,K,J,H	D	1	
4	A797132800	Mounting Plate	A,A1	D	1	
5	A797132200	Guide Plate		D	1	
6	A797132600	Mounting Plate		D	1	
7	A797132400	Mounting Plate		D	1	
8	A797132000	Mounting Plate		D	1	
9	4038M60000	SEESAW-SWITCH		C	1	
10	A797N10200	AC Wiring /230V	AC 束線 / 230 V	D	1	
11	A02EN12513	Power supply Wiring	給電束線	D	1	
12	A797N10100	AC Wiring /120V	AC 束線 / 120 V	D	1	
13	A5C1N30000	Power code /120V	電源コード / 120 V (北米 / 15 A)	C	1	
13	A00JN30200Old	Power code	電源コード (台湾)	C	1	
13	A8JEN30200	Power code	電源コード (台湾)	H	1	
14	A0ED135700	Mounting Plate	取付板 (電源コード)	D	1	
14	A0ED135700Old	Mounting Plate	取付板 (電源コード)	H	1	
14	A7PU135700	Mounting Plate	取付板 (電源コード)	D	1	
15	A797N10001	AC Wiring /100V	AC 束線 / 100 V	D	1	
16	A797N10500	AC Wiring /A	AC 束線 / A	D	1	
17	A0EDN30002	Power source Cord /100V	電源コード / 100 V	D	1	

WIRING

①

P 45



Reference Page/Key of electric parts

MFPB: P43-9	SW3: P3-3
PS101: P3-16	SW2: P3-3
PS100: P3-17	Fusing Unit: P36-1
SP1: P3-2	

WIRING

Key	Part No.	Description	Destinations	Class	QTY	Standard parts
1	A798N10C00	Main body Wiring /2 本体束線 / 2		D	1	

WIRING ACCESSORIES AND JIGS

P 46

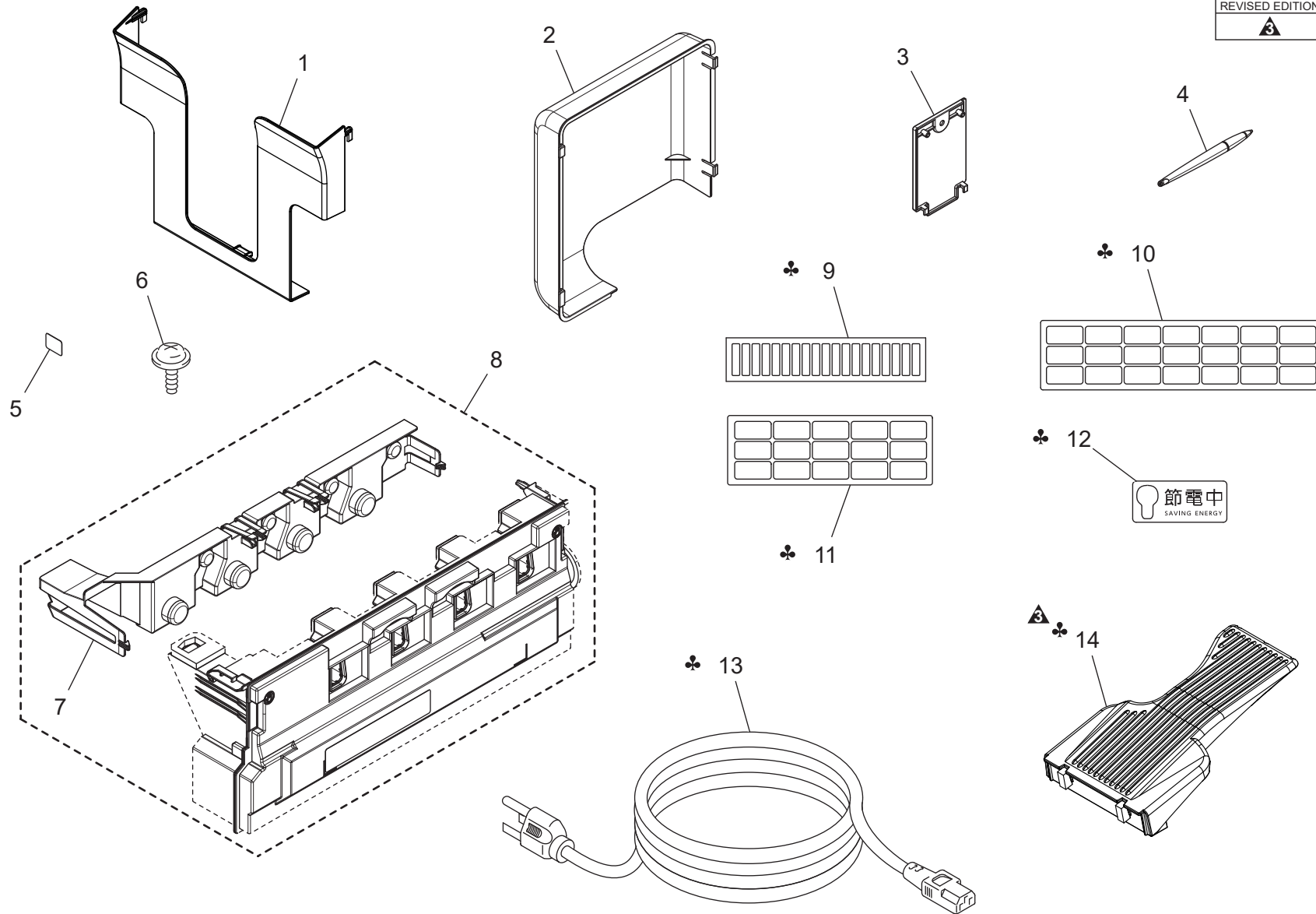
<p>1</p> <p>White</p> <p>5.2 11.5</p>	<p>6</p> <p>White</p> <p>5.3 11</p>	<p>11 ♣</p> <p>14.0</p>	16	21	26	31	36
<p>2</p> <p>13.7 16</p>	<p>7</p> <p>8.1 16.3</p>	12	17	22	27	32	37
<p>3</p> <p>33</p>	<p>8</p> <p>26.2 28</p>	13	18	23	28	33	38
<p>4</p> <p>5.8 7.9</p>	<p>9</p> <p>15.9 20.1</p>	14	19	24	29	34	39
<p>5</p> <p>White</p> <p>3.1 6.2</p>	<p>10 ♣</p> <p>10.7 19.8</p>	15	20	25	30	35	40

WIRING ACCESSORIES AND JIGS

Key	Part No.	Description	Destinations	Class	QTY	Standard parts
1	V500010081	Locking Wire Saddle		D		
2	V500010084	Locking Wire Saddle		D		
3	V500020082	Clamping for FFC		D		
4	V500020098	Mini Locking wire saddle		D		
5	V500020099	Mini Locking wire saddle		D		
6	V500020100	Mini Locking wire saddle		D		
7	V570010057	Wing Edge Saddle		D		
8	V570010059	Wing Edge Saddle		D		
9	V570010060	Wing Edge Saddle		D		
10	V500020052	bushing	A,A1,B,G2	D	1	
11	V500020073	bushing	H	D		

ACCESSORY PARTS

改訂版 REVISED EDITION	日付 DATE
	SEPTEMBER 2017



ACCESSORY PARTS

Key	Part No.	Description	Destinations	Class	QTY	Standard parts
1	A90G169900	Holder	ホルダ (マニュアル)	C	1	
2	A797152000	Duct	ダクト	C	1	
3	A797163400	Cover	カバー	C	1	
4	A7AH166700	Operation Shaft	操作軸	C	1	
5	A7AH266800	Seal	シール	C	1	
6	V153031004	screw	カップ頭タッピンねじ B タイト	V	1	
7	A161362000	Cover	蓋	C	1	
8	A8JJWY1	WASTE TONER BOX	廃棄トナーボックス	A	1	
8	A8JJWY1	WASTE TONER BOX	廃棄トナーボックス	A	1	
9	A7AH947600	Seal /Japanese	シール/日本語	C	1	
9	A7AH947201	Seal/ English	シール/英語	C	1	
9	A7AH947301	Seal/ Chinese	シール/中国語	C	1	
9	A7AH947401	Seal	シール (台湾語)	C	1	
10	A7AH942000	Label Metric	ラベル メトリック	C	1	
11	A7AH942100	Label Inch	ラベル インチ	C	1	
12	A1UD947400	Label	ラベル (国内省エネ)	C	1	
13	9381420021	POWER CORD	プラグ付電源コード	D	1	
13	A7AHN30000	Power code /230V	電源コード/230V (インド)	D	1	
13	A2UPN30300	Power code (220-240V)	電源コード (220-240V)	D	1	
13	4136N30000	POWER CODE	プラグ電源コード	D	1	
13	A2UPN30100	Power code (220-240V)	電源コード (220-240V)	D	1	
13	A2UPN30601	Power code (220-240V)	電源コード (220-240V)	D	1	
13	A1UDN30200	Power cord /230V	電源コード/230V (アルゼンチン)	C	1	
13	A797N30000	Power code /230V	電源コード/230V (Israel)	D	1	
13	9381430031	POWER CORD	プラグ付電源コード	D	1	
14	A7PU169700	Tray	トレイ (サブ)	D	1	

MAINTENANCE LIST

● The items with no Page/Key numbers are not handled as spare parts.

No.	Section	PM Parts Description	Maintenance Cycle (K=1,000)		Parts No.	Destinations	Page/Key	Note
			QTY	Replace				
1	Paper feed section	Tray 1 pick-up roller	1	300k	A5C1562200		P17-14	*2, *4
2		Tray 1 feed roller	1	300k	A00J563600		P17-12	*2, *4
3		Tray 1 separation roller	1	300k	A00J563600		P18-10	*2, *4
4		Tray 2 pick-up roller	1	300k	A5C1562200		P19-20	*2, *4
5		Tray 2 feed roller	1	300k	A00J563600		P19-18	*2, *4
6		Tray 2 separation roller	1	300k	A00J563600		P20-10	*2, *4
7		Manual bypass tray feed roller	1	200k	A00F623201		P32-7	*2, *4
8		Manual bypass tray separation roller assy	1	200k	4658015106		P33-19	*2, *4
9	Processing section	Toner cartridge/Y,M,C *1	1	21k	-			*3
10		Toner cartridge/K *1	1	24k	-			*3
11		Drum unit/K *1	1	80k	-			*3
12		Developing unit/K	1	600k	-			*3
13		Imaging unit/Y,M,C	1	70k	-			*3
14	Waste toner box *1	1	22k	A8JJWY1		P47-8	*3, *5	
15	Image transfer section	Transfer belt unit	1	250k	A797R73400		P15-21	*3
16		Transfer roller unit	1	250k	A797R71811		P27-1	*3
17	Fusing section	Fusing unit	1	500k	A797R70122	100V Areas	P36-1	*3
18			1	500k	A797R70211	120V Areas	P36-1	*3
19			1	500k	A797R70311	200V Areas	P36-1	*3

*1: The parts can be replaced either by user or service engineer.

*2: Actual durable cycle (life counter value)

*3: Field standard yield

*4: Replace those three parts at the same time.

*5: A waste toner full condition is detected with detecting the actual waste toner emissions.

メンテナンスリスト

● ページ / キーナンバーのないものは、アフターサービス部品ではありません。

No.	区分	PM 部品名称	サイクル (K=1,000)		部品番号	仕向地	頁 / キー	備考
			員数	交換				
1	給紙部	トレイ1ピックアップローラー	1	300k	A5C1562200		P17-14	*2, *4
2		トレイ1給紙ローラー	1	300k	A00J563600		P17-12	*2, *4
3		トレイ1分離ローラー	1	300k	A00J563600		P18-10	*2, *4
4		トレイ2ピックアップローラー	1	300k	A5C1562200		P19-20	*2, *4
5		トレイ2給紙ローラー	1	300k	A00J563600		P19-18	*2, *4
6		トレイ2分離ローラー	1	300k	A00J563600		P20-10	*2, *4
7		手差しトレイ給紙ローラー	1	200k	A00F623201		P32-7	*2, *4
8		手差しトレイ分離ローラー Assy	1	200k	4658015106		P33-19	*2, *4
9	プロセス部	トナーカートリッジ / Y,M,C *1	1	21k	-			*3
10		トナーカートリッジ / K *1	1	24k	-			*3
11		ドラムユニット / K *1	1	80k	-			*3
12		現像ユニット / K	1	600k	-			*3
13		イメージングユニット / Y,M,C	1	70k	-			*3
14		廃棄トナーボックス *1	1	22k	A8JJWY1		P47-8	*3, *5
15	転写部	転写ベルトユニット	1	250k	A797R73400		P15-21	*3
16		転写ローラーユニット	1	250k	A797R71811		P27-1	*3
17	定着部	定着ユニット	1	500k	A797R70122	100V Areas	P36-1	*3
18			1	500k	A797R70211	120V Areas	P36-1	*3
19			1	500k	A797R70311	200V Areas	P36-1	*3

*1: ユーザー / サービス交換の選択が可能。

*2: ライフカウンター値

*3: 市場標準印刷枚数値

*4: 同時交換のこと

*5: 廃棄トナーフル検知は、実際の廃棄トナー充填量を検知して行う。

DESTINATION

Destination No.		Destinations		V	Hz	Model No.
A	A1	JAPAN		100	50/60	A79800A/ 00D/007
	A2	JAPAN		200	50/60	
B		USA, CANADA		120	60	A79801A/ 01D/017/ 019
C		EUROPEAN TYPE		220-240	50/60	A79802A/ 021/027
D	D1	S.E ASIA TYPE	THAILAND, SRI LANKA, SINGAPORE, MALAYSIA, HONG KONG, PAKISTAN, INDIA, BANGLADESH, INDONESIA	220-240	50/60	A79804A/ 041/04D/ 047
	D3	OCEANIA TYPE	AUSTRALIA, NEW ZEALAND	220-240	50/60	A79804A/ 041/04D/ 047
E		PHILIPPINES		220-240	50/60	A79804A/ 041/04D/ 047
F	F1	SAUDI ARABIA		127	60	
	F2	SAUDI ARABIA		220-240	50/60	A79804A/ 041/04D/ 047
G	G1	C.S AMERICA		220-240	50/60	A79804A/ 041/04D/ 047
	G2	C.S AMERICA		120	60	A79801A/ 01D/017/ 019

Destination No.	Destinations	V	Hz	Model No.
H	TAIWAN	110	60	A79807D/ 077
I	JORDAN, LEBANON, SYRIA, SOUTH AFRICA, IRAQ, IRAN, N.YEMEN, CAMER- OON, UAE, BAHRAIN, OMAN, QATAR, KUWAIT, KENYA, TUNISIA, IVORY COAST, MOROCCO	220-240	50/60	A79802A/ 04A/021/ 04104D/047
J	CHINA	220-240	50/60	A79808D
K	KOREA	220-240	50/60	A79804A/ 041/04D/ 09D/047